

## 4" LED ARCHITECTURAL SQUARE FLANGE ADJUSTABLE WARM DIM NEW CONSTRUCTION: IC & NON IC



WARM DIM

### GENERAL INFORMATION

#### USE OF PRODUCT

The 4" Prime series with Warm Dim is the ideal product for architectural energy efficient lighting in commercial and residential applications. Available options include die-cast trims, various optics, and dimmable drivers. Warm Dim color temperature gradually transitions from 3000K to 1800K simulating natural sunsets.

#### LED ENGINE

LED engine available with Warm Dim standard 90+ CRI. 2-step MacAdam ellipse allows for color consistency between fixtures. The LED is mounted to an aluminum heat sink for maximum life output and thermal management. Light engine provides a quick disconnect with locking strain relief to housing.

#### FRAME CONSTRUCTION

IC and Non-IC rated housing are constructed from a 16-gauge heavy-duty, powder-coated cold-rolled steel frame and includes a junction box with 1/2" knockouts. Butterfly brackets (included) accommodate universal or C-channel hangers (order separately).

#### ADJUSTMENT

- Light engine allows for hot aiming from 0-40°, consult factory for other tilt setting.
- Housing supports 359° locking rotation.
- Aperture collar compatible up to 1 1/2" ceiling thickness. Consult factory for made-to-order aperture collars exceeding 1 1/2".

#### OPTICAL LENS

Field replaceable optical lenses are available in 30°, 35°, 40°, 50° and 60°. Easily achieve narrow spot to wide flood beam pattern.

#### DIMMING

Available in nine driver selections. (ID) Standard all-inclusive ELV (120V), Triac (120V), and 0-10V (120-277V) dimming driver called Intelligent Drive, (EEI) eldoLED 1% Dim 0-10V, (EES) eldoLED 1% Dim 0-10V (120-277V) and Triac (120V), Max 20W, (EDIO) eldoLED 0.1 Dim 0-10V, (EDID) eldoLED 0.1% Dim DALI, (EDD) eldoLED 1% Dim DALI2, (LDE1) Lutron Hi-Lume 1% Ecosystem with Soft-on, Fade-to-Black Dimming, (L3DA) Hi-Lume 1% Ecosystem/3-Wire L3D Driver, (PEQ0) Lutron Hi-Lume Premier Ecosystem 0.1% with Soft-on, Fade-to-Black Dimming.

#### TRIM

Flange trims available in die-cast or spun aluminum. Trim includes standard frosted acrylic diffuser. Remove standard frosted acrylic diffuser in field for 7% lumens increase. Consult factory for made-to-order finishes. Wet location for bathrooms and showers with standard lens on trim.

#### EMERGENCY BATTERY

Optional Emergency Battery (EM) available in 4W (≈400 lm), 8W (≈800 lm), or 15W (≈1,500 lm) available for a minimum of 90 minutes. Please review page 6 for integral or remote EM and test switch options with solutions that allow for EM replacement from below the ceiling.

#### LABELS/COMPLIANCE/WARRANTY

- CSA Listed for US and Canada.
- Energy Star certified product.
- Dry/Damp/Wet location rated.
- State of California Title 24 and JA8 compliant.
- 5-year limited warranty.



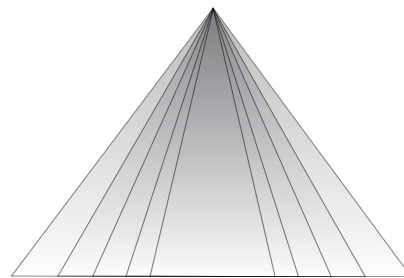
### GENERAL PERFORMANCE CHART

\*Detailed performance chart may be found on page 3

	6W	9W	12W	15W	20W
Initial Lumens	474	697	970	1209	1543
Delivered Lumens	209-350	308-513	430-713	538-889	693-1142

\*Delivered lumens range based on beam spread. Performance may vary +/- 5%

### BEAM SPREAD



Available optics: 30° 35° 40° 50° 60°

- Field replaceable TIR optics
- Easily achieve narrow spot to wide flood beam pattern
- Optional filters available upon request

### PRIME FAMILY OF PRODUCTS



Downlight



TechZone®



WoodWorks®



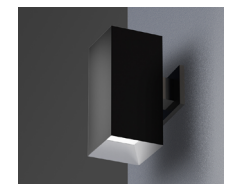
Multiple Dedicated Bevel



Multiple Open Bevel



Cylinder



Square Luminaire

## 4" LED ARCHITECTURAL SQUARE FLANGE ADJUSTABLE WARM DIM NEW CONSTRUCTION: IC & NON IC

### ORDERING INFORMATION

Series	Wattage	Dimming	Color Temperature	Optical Lens	Filter
RPA4	<b>6W</b> - 6 Watt <b>9W</b> - 9 Watt <b>12W</b> - 12 Watt <b>15W</b> - 15 Watt <b>20W</b> - 20 Watt	<b>ID<sup>1</sup></b> - Standard All-Inclusive ELV, Triac, and 0-10V Dimming Driver (Intelligent Drive) <b>EEI<sup>2</sup></b> - eldoLED 1% Dim (0-10V) <b>EEIS<sup>3</sup></b> - eldoLED 1% Dim 0-10V (120-277V), Triac (120V), Max 20W <b>EDIO<sup>2</sup></b> - eldoLED 0.1% Dim (0-10V) <b>EDID<sup>2</sup></b> - eldoLED 0.1% Dim (DALI) <b>EDD<sup>2</sup></b> - eldoLED 1% Dim (DALI2) <b>LDE1<sup>4</sup></b> - Lutron Hi-Lume 1% Ecosystem with Soft-on, Fade-to-Black Dimming <b>L3DA<sup>4</sup></b> - Hi-Lume 1% Ecosystem/3-Wire L3D Driver <b>PEQ0</b> - Lutron Hi-Lume Premier Ecosystem 0.1% with Soft-on, Fade-to-Black Dimming	<b>WD</b> - Warm Dim	<b>30</b> - 30° <b>35</b> - 35° <b>40</b> - 40° <b>50</b> - 50° <b>60</b> - 60°	<b>Blank</b> - None <b>F</b> - Frosted Filter <b>H</b> - Honey Comb <b>S</b> - Solite Filter <b>L</b> - Linear Filter

Housing Type	Collar	Module Type	Frame Accessories
<b>IC</b> - IC Air-Tight New Construction <b>NC</b> - Non-IC New Construction	<b>CS15<sup>5</sup></b> - 1.5" Depth <b>CS20</b> - 2.0" Depth <b>CS25</b> - 2.5" Depth <b>MTO</b> - Made To Order	<b>AMH</b> - Adjustable	<b>UH</b> - Universal Bar Hanger <b>C</b> - C-Channel Bar Hanger

#### Options

- ER4W<sup>6</sup>** - Emergency Battery with Remote Switch (400 lm)
- EI4W<sup>5</sup>** - Emergency Battery with Integral Switch (400 lm)
- ER8W<sup>7</sup>** - Emergency Battery with Remote Switch (800 lm)
- EI8W<sup>7</sup>** - Emergency Battery with Integral Switch (800 lm)
- ER15W<sup>7</sup>** - Emergency Battery with Remote Switch (1,500 lm)
- EI15W<sup>7</sup>** - Emergency Battery with Integral Switch (1,500 lm)
- 347V** - 347V Step down transformer
- CP<sup>8</sup>** - Chicago Plenum

#### Wireless Controls

- AWN** - Athena Wireless (Lutron)
- CLM** - Connected Lighting Module (Legrand Wattstopper)

#### Notes

1. Intelligent Drive is the standard driver.
2. Must specify logarithmic or linear eldoLED driver.
3. Driver available up to 20W and programmed only in linear mode.
4. Not offered in 6W.
5. Standard Collar Height.
6. Available in IC housing only.
7. Ceiling access is required for IC housing to replace the EM unit.
8. Requires IC housing.

### TRIM ORDERING INFORMATION

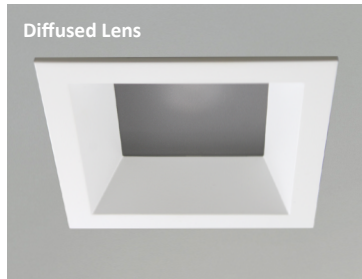
Bevel / Flange Finish (one piece)	Trim Type	Bevel / Flange finish
4" Square Flange Regress Large Opening		4SFOW-W - White bevel / white flange 4SFOH-W - Haze bevel / white flange 4SFOB-B - Black bevel / black flange 4SFOH-H - Haze bevel / haze flange 4SFOS-S - Specular clear bevel / specular clear flange 4SFOS-W - Specular clear bevel / white flange 4SFOWE-WE - Wheat bevel / wheat flange 4SFOMTO - Made to order
4" Square Flange Accent		4SFAW-W - White bevel / white flange 4SFAH-W - Haze bevel / white flange 4SFAB-B - Black bevel / black flange 4SFAH-H - Haze bevel / haze flange 4SFAS-S - Specular clear bevel / specular clear flange 4SFAS-W - Specular clear bevel / white flange 4SFAWE-WE - Wheat bevel / wheat flange 4SFAMTO - Made to order

4" LED ARCHITECTURAL SQUARE FLANGE ADJUSTABLE WARM DIM  
NEW CONSTRUCTION: IC & NON IC

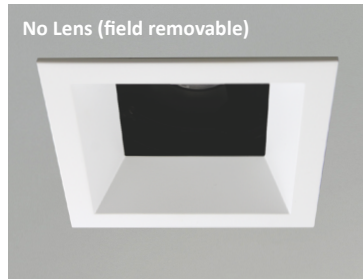
## PERFORMANCE CHART

Optics		30°	35°	40°	50°	60°
6W	Initial Lumens	474	474	474	474	474
	Delivered Lumens	327	341	350	315	209
9W	Initial Lumens	697	697	697	697	697
	Delivered Lumens	478	501	513	451	308
12W	Initial Lumens	970	970	970	970	970
	Delivered Lumens	664	695	713	622	430
15W	Initial Lumens	1209	1209	1209	1209	1209
	Delivered Lumens	829	868	889	774	538
20W	Initial Lumens	1543	1543	1543	1543	1543
	Delivered Lumens	1062	1110	1142	988	693

## 4SFO REGRESS LARGE OPENING

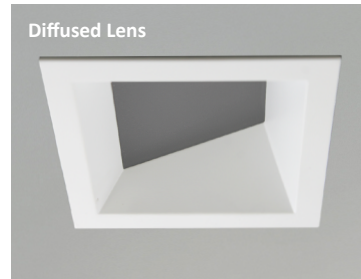


- IES files are based on the large opening trim with diffused lens.

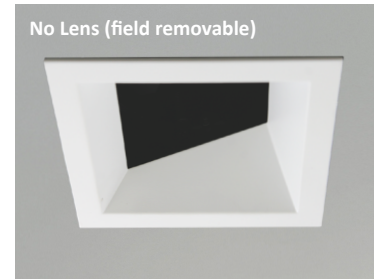


- Not suitable for wet locations
- Increase in lumens by approximately 7%

## 4SFA ACCENT



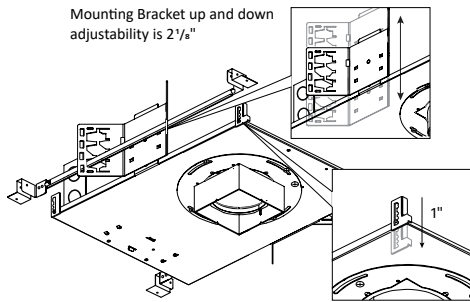
- IES files are based on the large opening trim with diffused lens.



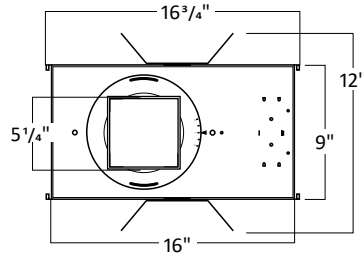
- Not suitable for wet locations
- Increase in lumens by approximately 7%

## 4" LED ARCHITECTURAL SQUARE FLANGE ADJUSTABLE WARM DIM NEW CONSTRUCTION: IC & NON IC

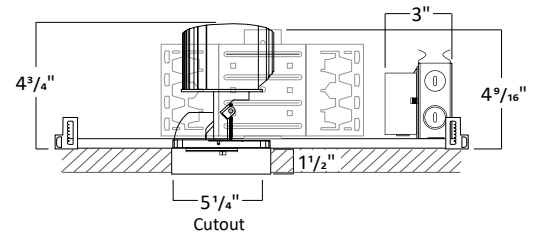
### NON-IC HOUSING DIMENSIONS



NC - Non-IC New Construction

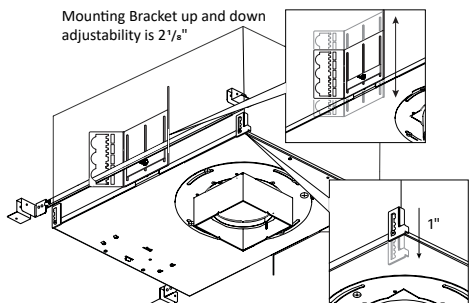


Universal bar hanger mounts on the length or width side of the fixture; Ceiling mount bracket provides 1" adjustability.

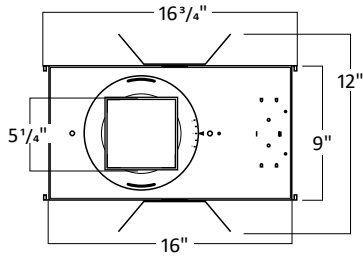


1. 1 1/2" is the standard collar height. Consult factory for Made to Order collar heights.  
2. Allow 1/8" tolerance.

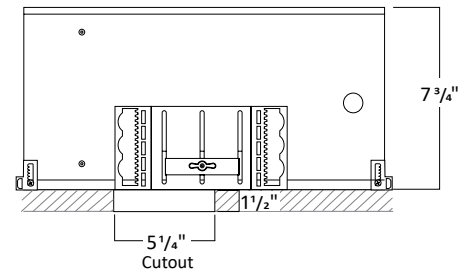
### IC HOUSING DIMENSIONS



IC - IC Air-Tight New Construction



Universal bar hanger mounts on the length or width side of the fixture; Ceiling mount bracket provides 1" adjustability.



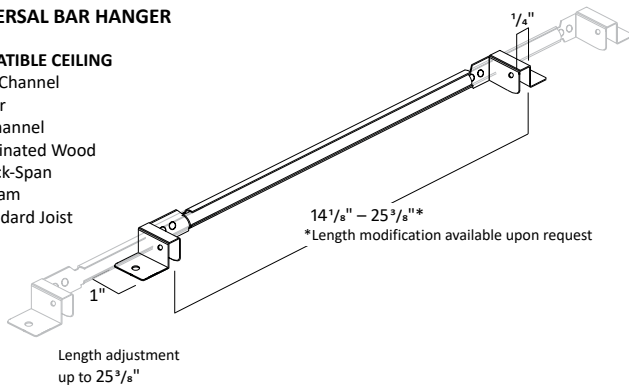
1. 1 1/2" is the standard collar height. Consult factory for Made to Order collar heights.  
2. Allow 1/8" tolerance.

### FRAME ACCESSORIES

#### UNIVERSAL BAR HANGER

##### COMPATIBLE CEILING

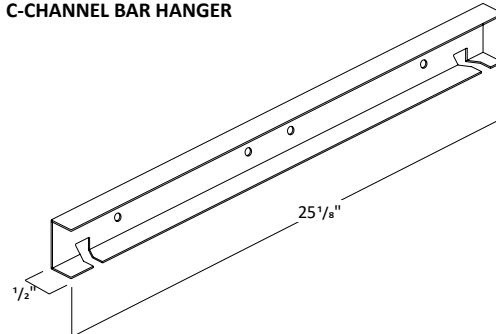
- Hat Channel
- T-Bar
- C-Channel
- Laminated Wood
- Quick-Span
- I-Beam
- Standard Joist



14 1/8" – 25 3/8" \*  
\*Length modification available upon request

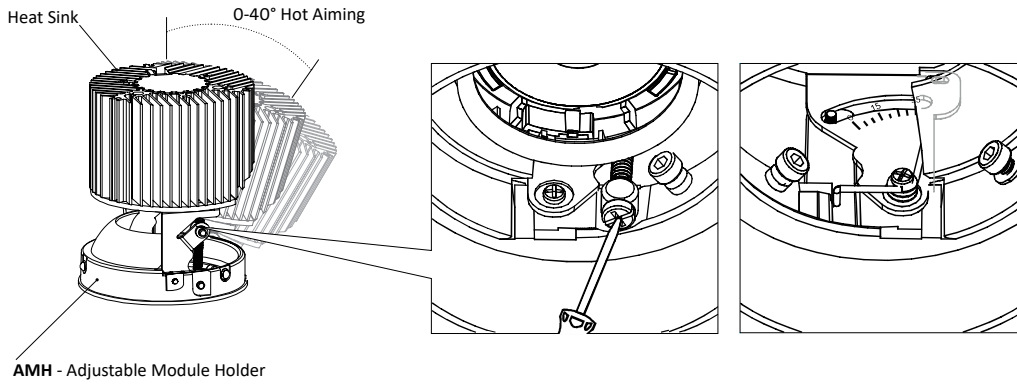
Length adjustment up to 25 3/8"

#### C-CHANNEL BAR HANGER

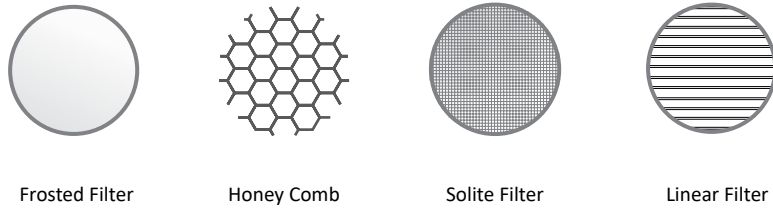


## 4" LED ARCHITECTURAL SQUARE FLANGE ADJUSTABLE WARM DIM NEW CONSTRUCTION: IC & NON IC

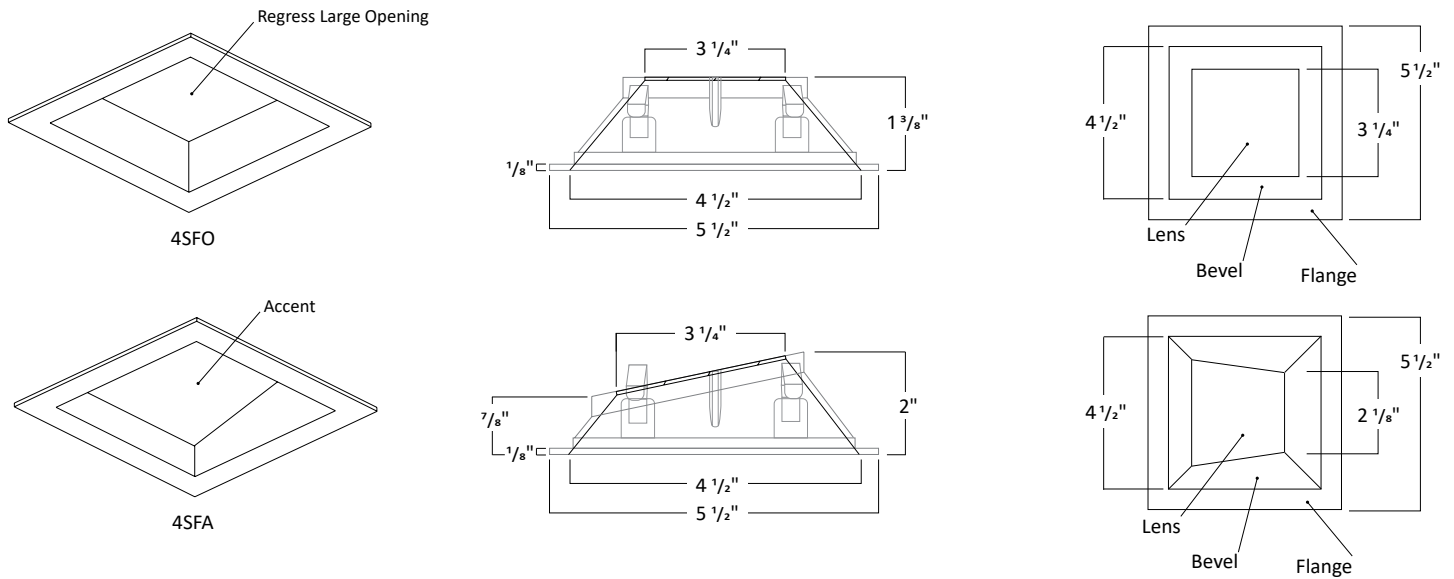
### MODULE DIMENSIONS



### FILTERS



### TRIM DIMENSIONS



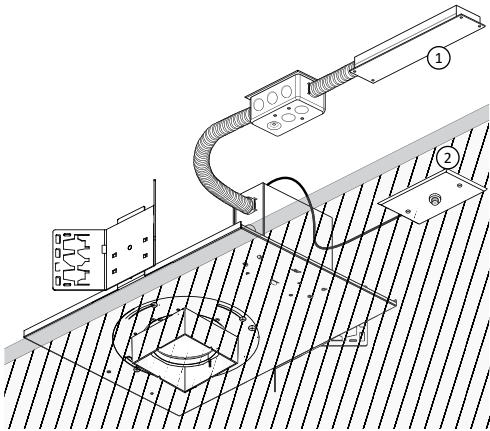
### TRIM FINISH



\*Consult Factory for Made to Order Finishes

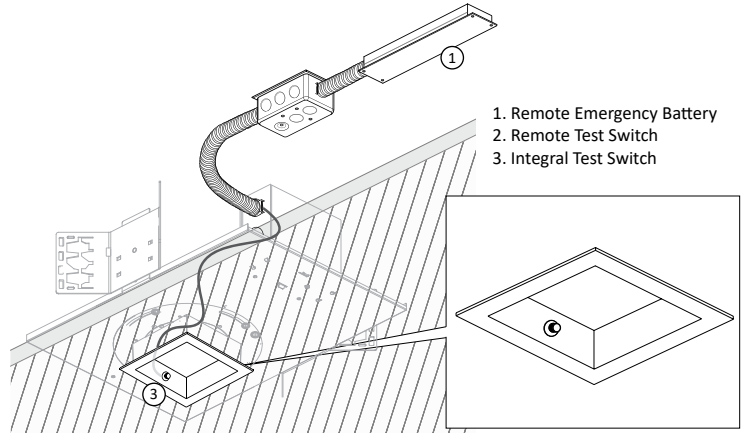
## 4" LED ARCHITECTURAL SQUARE FLANGE ADJUSTABLE WARM DIM NEW CONSTRUCTION: IC & NON IC

### REMOTE EMERGENCY BATTERY: NON-IC NEW CONSTRUCTION HOUSING



NC - Non-IC New Construction

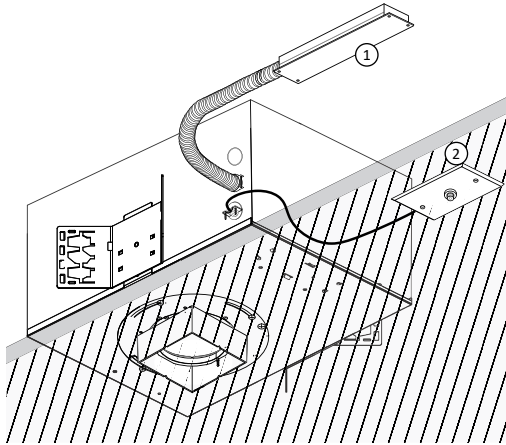
**ER8W** and **ER15W** is an 8W and 15W Emergency Battery that is remote to the fixture with a remote test switch. The EM unit is accessible from below the ceiling for replacement purposes.



NC - Non-IC New Construction

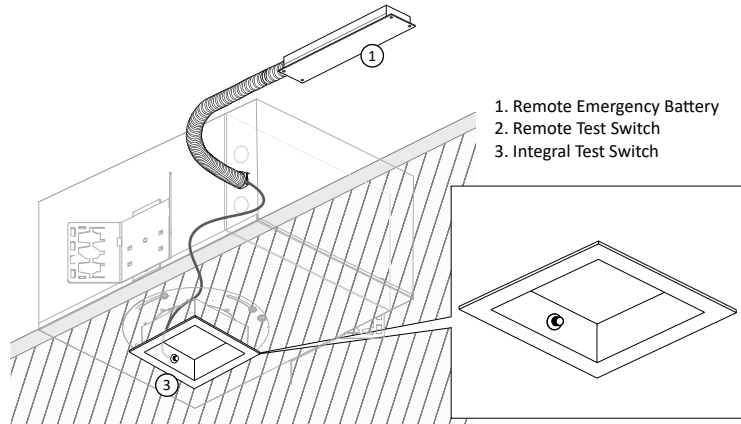
**EI8W** and **EI15W** is an 8W and 15W Emergency Battery that is remote to the fixture with an integral test switch. The EM unit is accessible from below the ceiling for replacement purposes.

### REMOTE EMERGENCY BATTERY: IC NEW CONSTRUCTION HOUSING



IC - IC Air-Tight New Construction

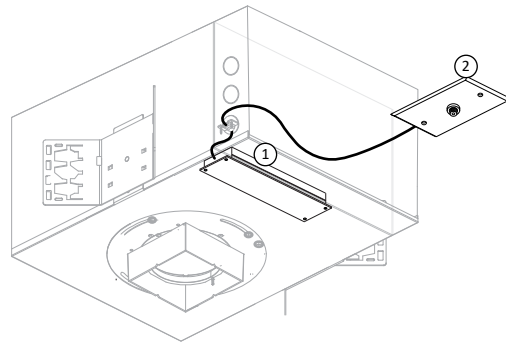
**ER8W** and **ER15W** is an 8W and 15W Emergency Battery that is remote to the fixture with a remote test switch. Ceiling access is required for replacement purposes



IC - IC Air-Tight New Construction

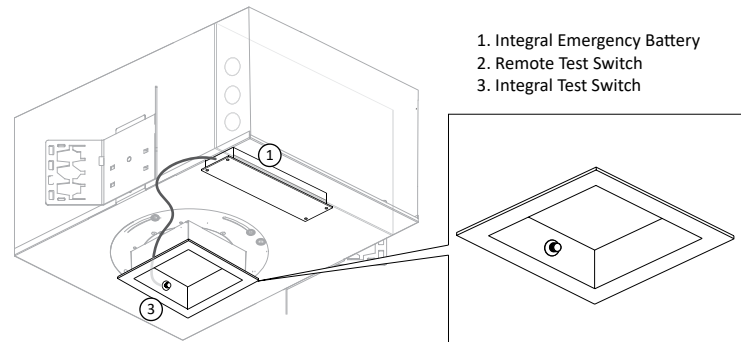
**EI8W** and **EI15W** is an 8W and 15W Emergency Battery that is remote to the fixture with an integral test switch. Ceiling access is required for replacement purposes.

### INTEGRAL EMERGENCY BATTERY: IC NEW CONSTRUCTION HOUSING



IC - IC Air-Tight New Construction

**ER4W** is an 4W Emergency Battery that is integral to the fixture with an remote test switch. The EM unit is accessible from below the ceiling for replacement purposes.



IC - IC Air-Tight New Construction

**EI4W** is an 4W Emergency Battery that is integral to the fixture with an integral test switch. The EM unit is accessible from below the ceiling for replacement purposes.

\*Available in IC housing only