

4" LED ARCHITECTURAL ROUND FLANGE DOWNLIGHT WARM DIM NEW CONSTRUCTION: IC & NON IC



WARM DIM

GENERAL INFORMATION

USE OF PRODUCT

The 4" Prime series with Warm Dim is the ideal product for architectural energy efficient lighting in commercial and residential applications. Available options include die-cast trims, various optics, and dimmable drivers. Warm Dim color temperature gradually transitions from 3000K to 1800K simulating natural sunsets.

LED ENGINE

LED engine available with Warm Dim standard 90+ CRI. 2-step MacAdam ellipse allows for color consistency between fixtures. The LED is mounted to an aluminum heat sink for maximum life output and thermal management. Light engine provides a quick disconnect with locking strain relief to housing.

FRAME CONSTRUCTION

IC and Non-IC rated housing are constructed from a 16-gauge heavy-duty, powder-coated cold-rolled steel frame and includes a junction box with 1/2" knockouts. Butterfly brackets (included) accommodate universal or C-channel hangers (order separately).

ADJUSTMENT

- Housing supports 359° locking rotation.
- Aperture collar compatible up to 1 1/2" ceiling thickness. Consult factory for made-to-order aperture collars exceeding 1 1/2".

OPTICAL LENS

Field replaceable optical lenses are available in 30°, 35°, 40°, 50° and 70°. Easily achieve narrow spot to wide flood beam pattern.

DIMMING

Available in nine driver selections. (ID) Standard all-inclusive ELV (120V), Triac (120V), and 0-10V (120-277V) dimming driver called Intelligent Drive, (EEI) eldoLED 1% Dim 0-10V, (EES) eldoLED 1% Dim 0-10V (120-277V) and Triac (120V), Max 20W, (EDIO) eldoLED 0.1 Dim 0-10V, (EDID) eldoLED 0.1% Dim DALI, (EDD) eldoLED 1% Dim DALI2, (LDE1) Lutron Hi-Lume 1% Ecosystem with Soft-on, Fade-to-Black Dimming, (L3DA) Hi-Lume 1% Ecosystem/3-Wire L3D Driver, (PEQ0) Lutron Hi-Lume Premier Ecosystem 0.1% with Soft-on, Fade-to-Black Dimming.

TRIM

Flange trims available in die-cast or spun aluminum. Trim includes standard frosted acrylic diffuser. Remove standard frosted acrylic diffuser in field for 7% lumens increase. Consult factory for made-to-order finishes. Wet location for bathrooms and showers with standard lens on trim.

EMERGENCY BATTERY

Optional Emergency Battery (EM) available in 4W (≈400 lm), 8W (≈800 lm), or 15W (≈1,500 lm) available for a minimum of 90 minutes. Please review page 6 for integral or remote EM and test switch options with solutions that allow for EM replacement from below the ceiling.

LABELS/COMPLIANCE/WARRANTY

- CSA Listed for US and Canada.
- Energy Star certified product.
- Dry/Damp/Wet location rated.
- State of California Title 24 and JA8 compliant.
- 5-year limited warranty.



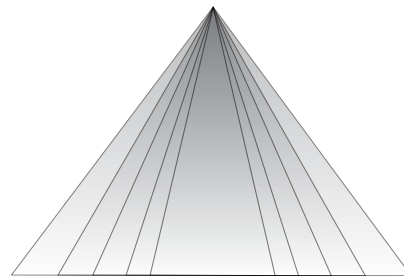
GENERAL PERFORMANCE CHART

*Detailed performance chart may be found on page 3

	6W	9W	12W	15W	20W
Initial Lumens	474	697	970	1209	1543
Delivered Lumens	323-381	475-563	661-786	824-984	1052-1260

*Delivered lumens range based on beam spread.
Performance may vary +/- 5%

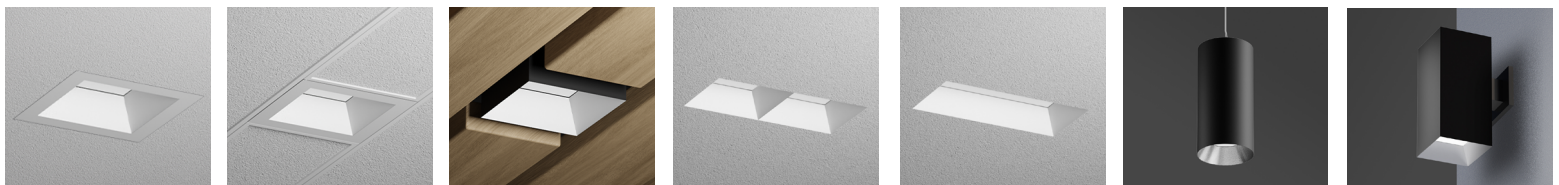
BEAM SPREAD



Available optics: 30° 35° 40° 50° 70°

- Field replaceable TIR optics
- Easily achieve narrow spot to wide flood beam pattern
- Optional filters available upon request

PRIME FAMILY OF PRODUCTS



Downlight TechZone® WoodWorks® Multiple Dedicated Bevel Multiple Open Bevel Cylinder Square Luminaire

4" LED ARCHITECTURAL ROUND FLANGE DOWNLIGHT WARM DIM NEW CONSTRUCTION: IC & NON IC

ORDERING INFORMATION

Series	Wattage	Dimming	Color Temperature	Optical Lens	Filter
RPA4	6W - 6 Watt 9W - 9 Watt 12W - 12 Watt 15W - 15 Watt 20W - 20 Watt	ID¹ - Standard All-Inclusive ELV, Triac, and 0–10V Dimming Driver (Intelligent Drive) EI² - eldoLED 1% Dim (0–10V) EI³ - eldoLED 1% Dim 0-10V (120-277V), Triac (120V), Max 20W EDI² - eldoLED 0.1% Dim (0-10V) EDID² - eldoLED 0.1% Dim (DALI) EDD² - eldoLED 1% Dim (DALI2) LDE1⁴ - Lutron Hi-Lume 1% Ecosystem with Soft-on, Fade-to-Black Dimming L3DA⁴ - Hi-Lume 1% Ecosystem/3-Wire L3D Driver PEQ0 - Lutron Hi-Lume Premier Ecosystem 0.1% with Soft-on, Fade-to-Black Dimming	WD - Warm Dim	30 - 30° 35 - 35° 40 - 40° 50 - 50° 70 - 70°	Blank - None F - Frosted Filter H - Honey Comb S - Solite Filter L - Linear Filter

Housing Type	Collar	Module Type	Frame Accessories
IC - IC Air-Tight New Construction NC - Non-IC New Construction	CR15⁵ - 1.5" Depth CR20 - 2.0" Depth CR25 - 2.5" Depth MTO - Made To Order	FMH - Downlight	UH - Universal Bar Hanger C - C-Channel Bar Hanger

Options	Wireless Controls	Notes
ER4W⁶ - Emergency Battery with Remote Switch (400 lm) EI4W⁶ - Emergency Battery with Integral Switch (400 lm) ER8W⁷ - Emergency Battery with Remote Switch (800 lm) EI8W⁷ - Emergency Battery with Integral Switch (800 lm) ER15W⁷ - Emergency Battery with Remote Switch (1,500 lm) EI15W⁷ - Emergency Battery with Integral Switch (1,500 lm) 347V - 347V Step down transformer CP⁸ - Chicago Plenum	AWN - Athena Wireless (Lutron) CLM - Connected Lighting Module (Legrand Wattstopper)	<ol style="list-style-type: none"> Intelligent Drive is the standard driver. Must specify logarithmic or linear eldoLED diver. Driver available up to 20W and programmed only in linear mode. Not offered in 6W. Standard Collar Height. Available in IC housing only. Ceiling access is required for IC housing to replace the EM unit. Requires IC housing.

TRIM ORDERING INFORMATION

Bevel / Flange Finish (one piece)	Trim Type	Bevel / Flange finish
4" Round Flange Regress Large Opening	4RFOW-W	White bevel / white flange
	4RFOH-W	Haze bevel / white flange
	4RFOB-B	Black bevel / black flange
	4RFOH-H	Haze bevel / haze flange
	4RFOS-S	Specular clear bevel / specular clear flange
	4RFOS-W	Specular clear bevel / white flange
	4RFOWE-WE	Wheat bevel / wheat flange
	4RFOMTO	Made to order

4" LED ARCHITECTURAL ROUND FLANGE DOWNLIGHT WARM DIM
NEW CONSTRUCTION: IC & NON IC

PERFORMANCE CHART

Optics		30°	35°	40°	50°	70°
6W	Initial Lumens	474	474	474	474	474
	Delivered Lumens	370	368	381	335	323
9W	Initial Lumens	697	697	697	697	697
	Delivered Lumens	543	540	563	492	475
12W	Initial Lumens	970	970	970	970	970
	Delivered Lumens	756	751	786	685	661
15W	Initial Lumens	1209	1209	1209	1209	1209
	Delivered Lumens	941	936	984	856	824
20W	Initial Lumens	1543	1543	1543	1543	1543
	Delivered Lumens	1201	1198	1260	1102	1052

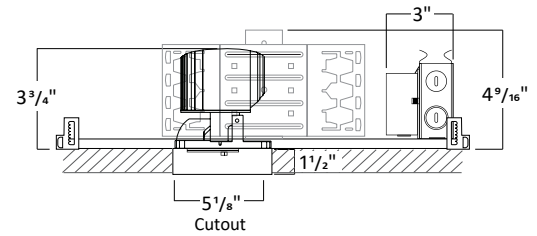
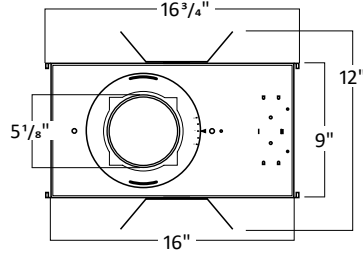
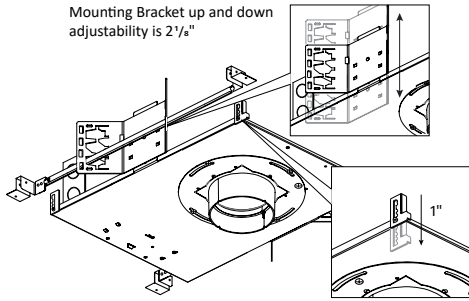
4RFO REGRESS LARGE OPENING



- IES files are based on the large opening trim with diffused lens.
- Not suitable for wet locations
- Increase in lumens by approximately 7%

4" LED ARCHITECTURAL ROUND FLANGE DOWNLIGHT WARM DIM NEW CONSTRUCTION: IC & NON IC

NON-IC HOUSING DIMENSIONS

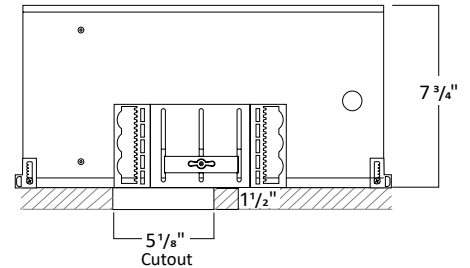
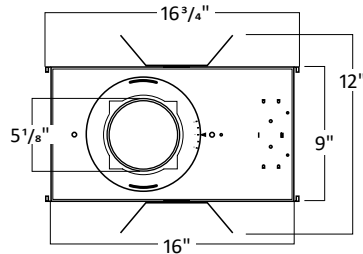
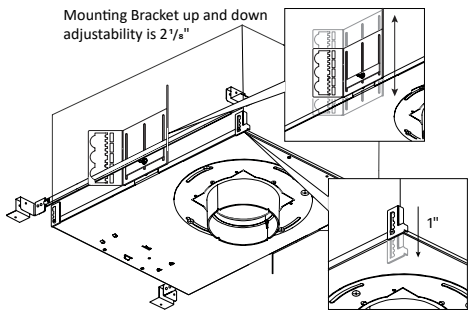


NC - Non-IC New Construction

Universal bar hanger mounts on the length or width side of the fixture; Ceiling mount bracket provides 1" adjustability.

1. 1 1/2" is the standard collar height. Consult factory for Made to Order collar heights
2. Allow 1/8" tolerance

IC HOUSING DIMENSIONS



IC - IC Air-Tight New Construction

Universal bar hanger mounts on the length or width side of the fixture; Ceiling mount bracket provides 1" adjustability.

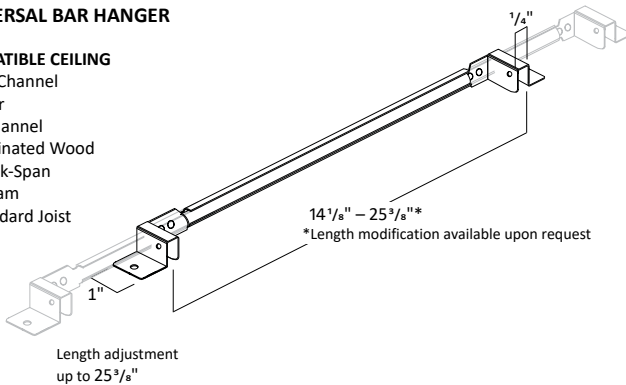
1. 1 1/2" is the standard collar height. Consult factory for Made to Order collar heights
2. Allow 1/8" tolerance

FRAME ACCESSORIES

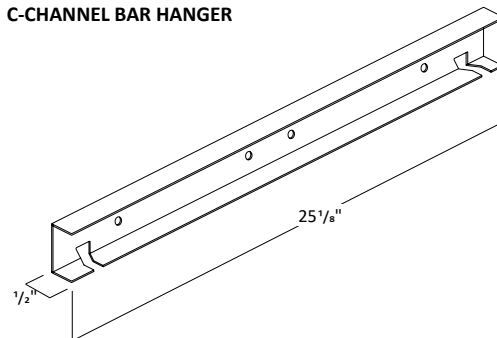
UNIVERSAL BAR HANGER

COMPATIBLE CEILING

- Hat Channel
- T-Bar
- C-Channel
- Laminated Wood
- Quick-Span
- I-Beam
- Standard Joist

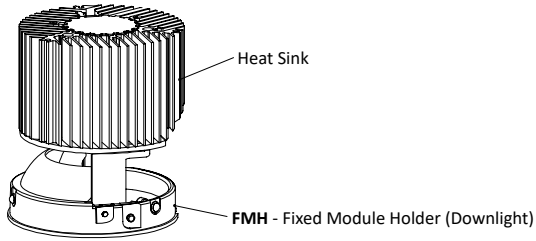


C-CHANNEL BAR HANGER

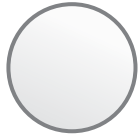


4" LED ARCHITECTURAL ROUND FLANGE DOWNLIGHT WARM DIM
 NEW CONSTRUCTION: IC & NON IC

LED MODULE



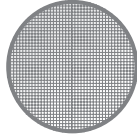
FILTERS



Frosted Filter



Honey Comb

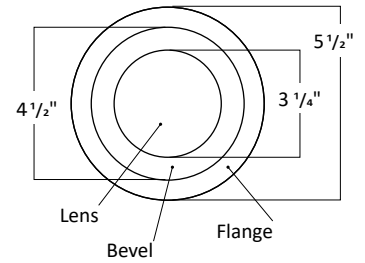
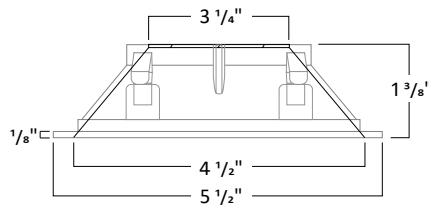
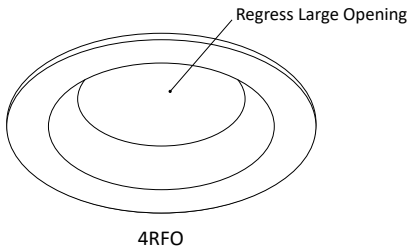


Solite Filter



Linear Filter

TRIM DIMENSIONS



TRIM FINISH



White



Black



Haze



Specular Clear

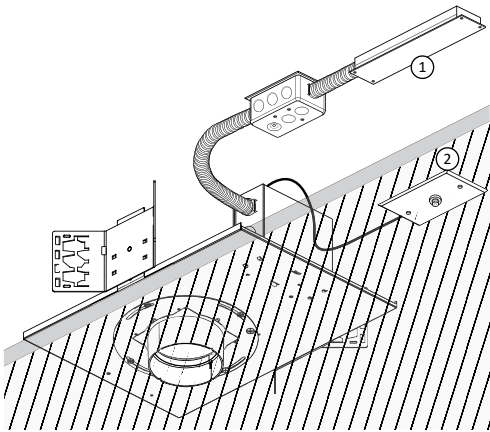


Wheat

*Consult Factory for Made to Order Finishes

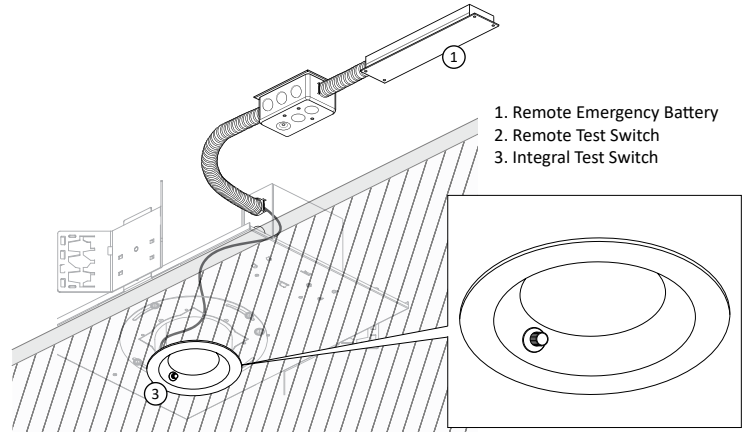
4" LED ARCHITECTURAL ROUND FLANGE DOWNLIGHT WARM DIM
NEW CONSTRUCTION: IC & NON IC

REMOTE EMERGENCY BATTERY: NON-IC NEW CONSTRUCTION HOUSING



NC - Non-IC New Construction

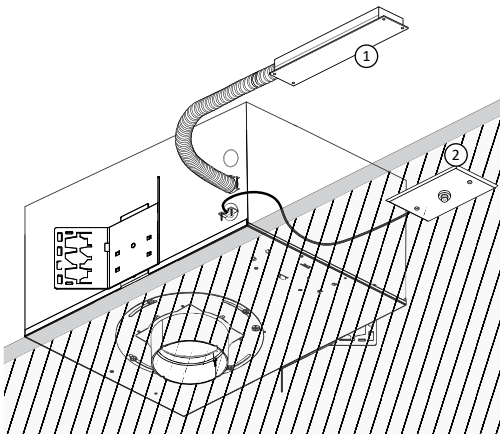
ER8W and **ER15W** is an 8W and 15W Emergency Battery that is remote to the fixture with a remote test switch. The EM unit is accessible from below the ceiling for replacement purposes.



NC - Non-IC New Construction

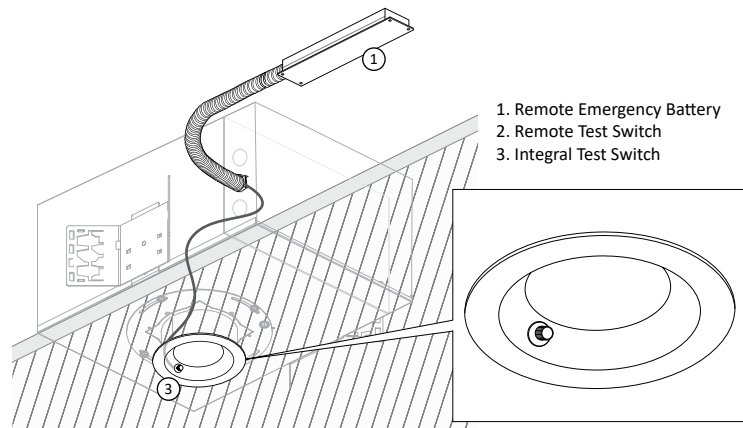
EI8W and **EI15W** is an 8W and 15W Emergency Battery that is remote to the fixture with an integral test switch. The EM unit is accessible from below the ceiling for replacement purposes.

REMOTE EMERGENCY BATTERY: IC NEW CONSTRUCTION HOUSING



IC - IC Air-Tight New Construction

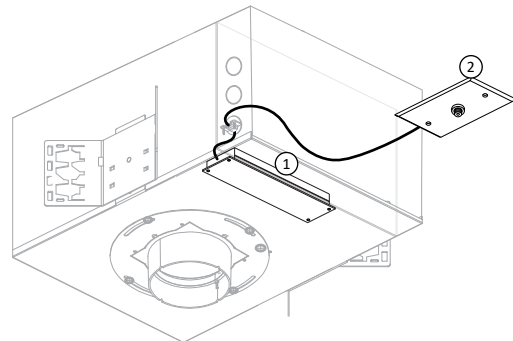
ER8W and **ER15W** is an 8W and 15W Emergency Battery that is remote to the fixture with a remote test switch. Ceiling access is required for replacement purposes



IC - IC Air-Tight New Construction

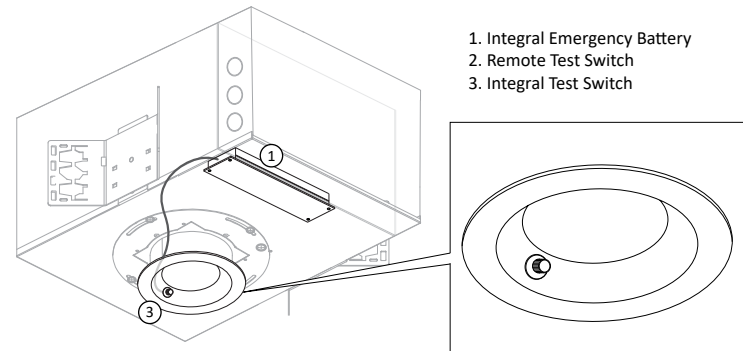
EI8W and **EI15W** is an 8W and 15W Emergency Battery that is remote to the fixture with an integral test switch. Ceiling access is required for replacement purposes.

INTEGRAL EMERGENCY BATTERY: IC NEW CONSTRUCTION HOUSING



IC - IC Air-Tight New Construction

ER4W is an 4W Emergency Battery that is integral to the fixture with an remote test switch. The EM unit is accessible from below the ceiling for replacement purposes.



IC - IC Air-Tight New Construction

EI4W is an 4W Emergency Battery that is integral to the fixture with an integral test switch. The EM unit is accessible from below the ceiling for replacement purposes. *Available in IC housing only