



### GENERAL INFORMATION

#### USE OF PRODUCT

The 3" Prime Downlight is a small aperture fixture with a super shallow housing height of 2½", which is ideal for residential and commercial applications. Available options include die-cast or spun aluminum trims, various temperatures, optics, and dimmable drivers.

#### LED ENGINE

LED engine available with CREE LEDs in 2700K, 3000K, 3500K, or 4000K in standard 90+ CRI. 2-step MacAdam ellipse allows for color consistency between fixtures. The LED is mounted to an aluminum heat sink for maximum life output and thermal management. LED engine is accessible from below the ceiling.

#### FRAME CONSTRUCTION

IC-rated super shallow housing is constructed from a 16-gauge heavy-duty, powder-coated cold-rolled steel frame and includes a junction box with ½" knockouts. Butterfly brackets (included) accommodate adjustable bar hanger (order separately).

#### ADJUSTMENT

- Housing supports 359° locking rotation.
- Aperture collar compatible up to 1½" ceiling thickness. Consult factory for made-to-order aperture collars exceeding 1½".

#### OPTICAL LENS

Field replaceable optical lenses are available in 12°, 25°, 30°, 40°, 50°, and 70°. Easily achieve narrow spot to wide flood beam pattern.

#### DIMMING

Available in nine driver selections. (ID) Standard all-inclusive ELV (120V), Triac (120V), and 0–10V (120–277V) dimming driver called Intelligent Drive, (EEL) eldoLED 1% Dim 0-10V, (EES) eldoLED 1% Dim 0-10V (120-277V) and Triac (120V), (EDIO) eldoLED 0.1 Dim 0-10V, (EDID) eldoLED 0.1% Dim DALI, (EDD) eldoLED 1% Dim DALI2.

#### BEVEL

Bevel includes standard frosted acrylic diffuser. Remove standard frosted acrylic diffuser in field for 7% lumens increase. Consult factory for made-to-order finishes. Wet location for bathrooms and showers with standard lens on trim.

#### EMERGENCY BATTERY

Optional 8W Emergency Battery (EM) available in 8W (~800 lm) available for a minimum of 90 minutes. Ceiling access is required to replace the EM unit.

#### LABELS/COMPLIANCE/WARRANTY

- CSA listed for US and Canada.
- Energy Star certified product.
- Dry/Damp/Wet location rated.
- State of California Title 24 and JA8 compliant.
- 5-year limited warranty.



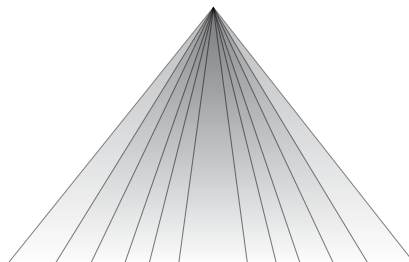
### GENERAL PERFORMANCE CHART

\*Detailed performance chart may be found on page 3

	6W	9W	12W	15W
<b>Initial Lumens</b>	657/955	890/1296	1122/1618	1267/2015
<b>Delivered Lumens</b>	586-755	794-1038	999-1319	1060-1642

\* Values are listed at 3000K, 90+ CRI with a white bevel & trim. Delivered lumens range based on beam spread. Performance may vary +/- 5%

### BEAM SPREAD



Available optics: 12° 25° 30° 40° 50° 70°

- Field replaceable TIR optics
- Easily achieve narrow spot to wide flood beam pattern
- Optional filters available upon request

### PRIME FAMILY OF PRODUCTS



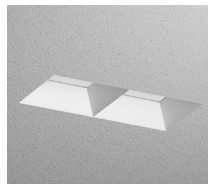
Downlight



TechZone®



WoodWorks®



Multiple Dedicated Bevel



Multiple Open Bevel



Cylinder



Square Luminaire

## 3" LED ARCHITECTURAL SUPER SHALLOW ROUND FLANGELESS DOWNLIGHT

### ORDERING INFORMATION

Series	Wattage	Dimming	Color Temperature	Optical Lens	Filter	Housing Type
RPA3S	<b>6W</b> - 6 Watt <b>9W</b> - 9 Watt <b>12W</b> - 12 Watt <b>15W</b> - 15 Watt	<b>ID<sup>1</sup></b> - Standard All-Inclusive ELV, Triac, and 0-10V Dimming Driver (Intelligent Drive) <b>EEI<sup>2</sup></b> - eldoLED 1% Dim (0-10V) <b>EES<sup>2</sup></b> - eldoLED 1% Dim 0-10V (120-277V), Triac (120V), Max 20W <b>EDIO<sup>2</sup></b> - eldoLED 0.1% Dim (0-10V) <b>EDID<sup>2</sup></b> - eldoLED 0.1% Dim (DALI) <b>EDD<sup>2</sup></b> - eldoLED 1% Dim (DALI2)	<b>27K</b> - 2700K <b>30K</b> - 3000K <b>35K</b> - 3500K <b>40K</b> - 4000K	<b>12<sup>3</sup></b> - 12° <b>25</b> - 25° <b>30</b> - 30° <b>40</b> - 40° <b>50</b> - 50° <b>70</b> - 70°	<b>Blank</b> - None <b>F</b> - Frosted Filter <b>H</b> - Honey Comb <b>S</b> - Solite Filter <b>L</b> - Linear Filter	<b>IC</b> - IC Super Shallow New Construction

Collar	Trim Style	Frame Accessories	Options
<b>CR15</b> - 1.5" Depth <b>MTO</b> - Made To Order	<b>LPR</b> - Flangeless Plaster <b>LAMR</b> - Flangeless Millwork with Adapter <b>LDMR</b> - Flangeless Millwork with Dedicated Collar	<b>AH</b> - Adjustable Bar Hanger	<b>ER8W<sup>4</sup></b> - Emergency Battery with Remote test switch (800 lm) <b>CP</b> - Chicago Plenum

### TRIM ORDERING INFORMATION

#### DIE-CAST

Bevel Finish	Bevel	Finish
3" Round Flangeless Regress Small Opening	3RLO-CS	<b>W</b> - White
	3RLO-CS	<b>B</b> - Black
	3RLO-CS	<b>H</b> - Haze
	3RLO-CS	<b>BZ</b> - Bronze
	3RLO-CS	<b>C</b> - Clear
	3RLO-CS	<b>MTO</b> - Made To Order
3" Round Flangeless Regress Large Opening	3RLO-CL	<b>W</b> - White
	3RLO-CL	<b>B</b> - Black
	3RLO-CL	<b>H</b> - Haze
	3RLO-CL	<b>BZ</b> - Bronze
	3RLO-CL	<b>C</b> - Clear
	3RLO-CL	<b>MTO</b> - Made To Order

#### Notes

- Intelligent Drive is the standard driver.
- Must specify logarithmic or linear eldoLED driver.
- 12° spread without lens on trim.
- Collar depth may be increased from the standard 1.5" depth; reduction below 1.5" is not available.
- Ceiling access is required to replace the EM unit.

### PERFORMANCE CHART

Optics		<sup>1</sup> 12°	25°	30°	40°	50°	70°
<b>6W</b>	Initial Lumens	657	955	955	955	955	955
	Delivered Lumens	586	718	755	754	726	602
	UGR		13.5	13	16.4	19.1	21
<b>9W</b>	Initial Lumens	890	1296	1296	1296	1296	1296
	Delivered Lumens	794	978	1034	1038	984	825
	UGR		14.6	14.3	17.7	19.6	22.3
<b>12W</b>	Initial Lumens	1122	1618	1618	1618	1618	1618
	Delivered Lumens	999	1225	1314	1319	1238	1051
	UGR		15.2	15.1	18.3	21.2	22.9
<b>15W</b>	Initial Lumens	1267	2015	2015	2015	2015	2015
	Delivered Lumens	1060	1470	1628	1642	1565	1227
	UGR		15.9	15.8	19	21.9	23.6

\* Values are listed at 3000K, 90+ CRI with a white bevel & trim.

**Notes**

1. 12° spread without lens on trim

### COLOR TEMPERATURE MULTIPLIER FOR DELIVERED LUMENS

2700K	3000K	3500K	4000K
0.95	1.00	1.04	1.07

### 3RLO-CS REGRESS SMALL OPENING

### 3RLO-CL REGRESS LARGE OPENING



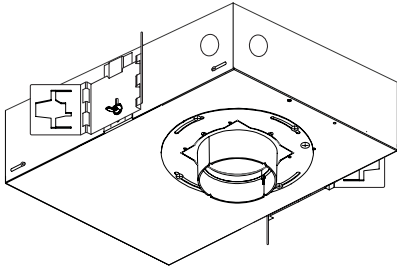
- IES files are based on the large opening trim with diffused lens.

- Not suitable for wet locations
- Increase in lumens by approximately 7%

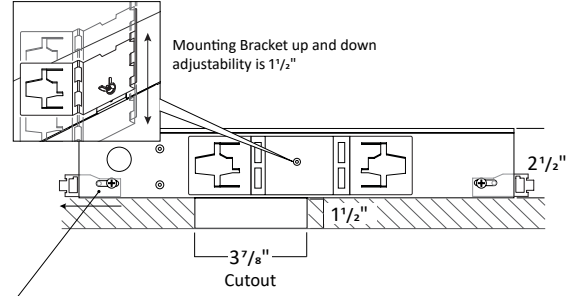
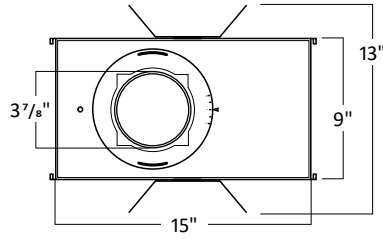
- IES files are based on the large opening trim with diffused lens.

- Not suitable for wet locations
- Increase in lumens by approximately 7%

### HOUSING DIMENSIONS



IC - IC Super Shallow New Construction

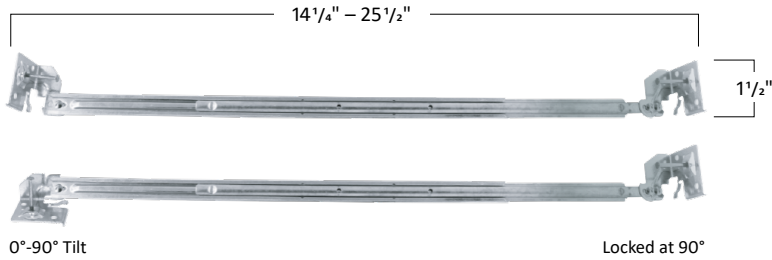
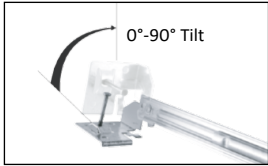


Extendable Ceiling Mount Bracket  
(Compatible with Universal Bar Hanger)

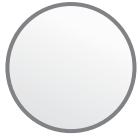
1. Consult factory for Made to Order collar height
2. Allow 1/8" tolerance

### FRAME ACCESSORIES

#### AH - Adjustable Bar Hanger



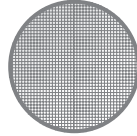
### FILTERS



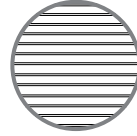
Frosted Filter



Honey Comb

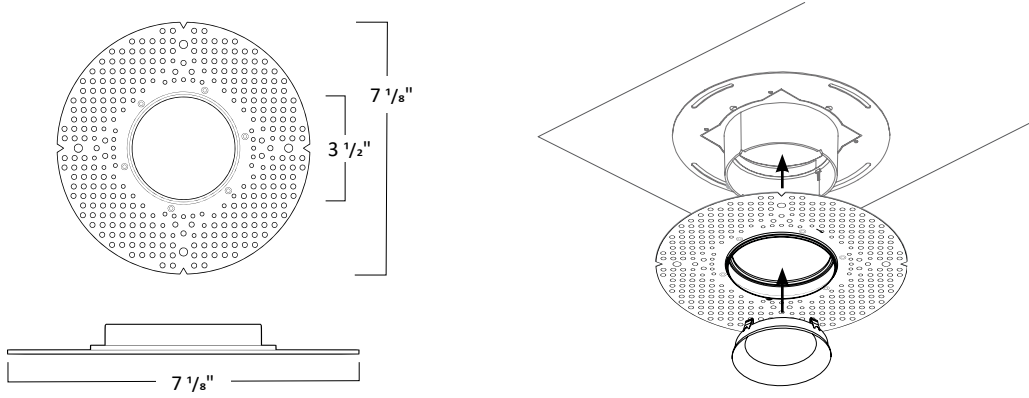


Solite Filter

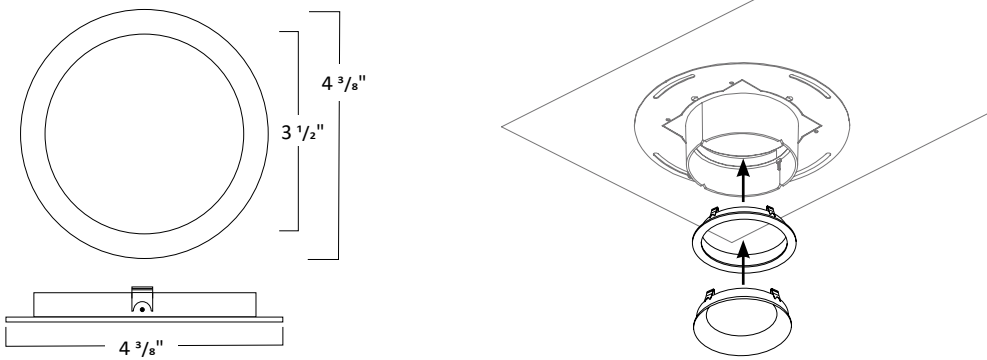


Linear Filter

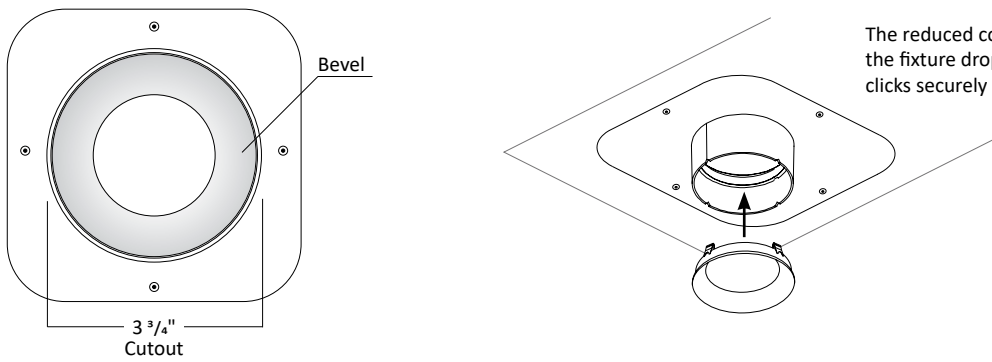
### FLANGELESS PLASTER (LPR)



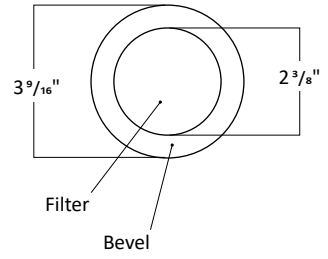
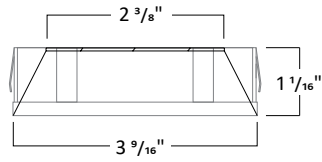
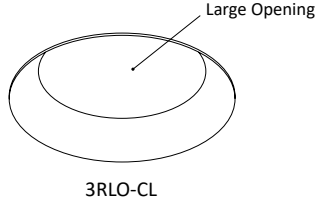
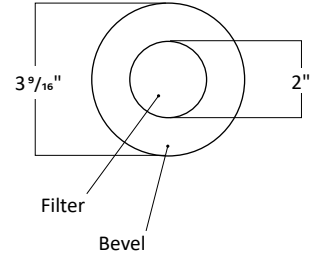
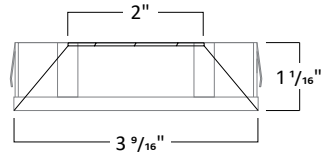
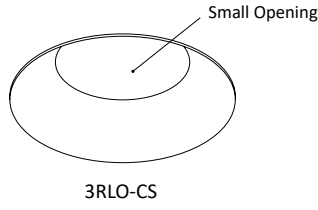
### FLANGELESS MILLWORK WITH ADAPTER (LAMR)



### FLANGELESS MILLWORK WITH DEDICATED COLLAR (LDMR)



### TRIM DIMENSIONS

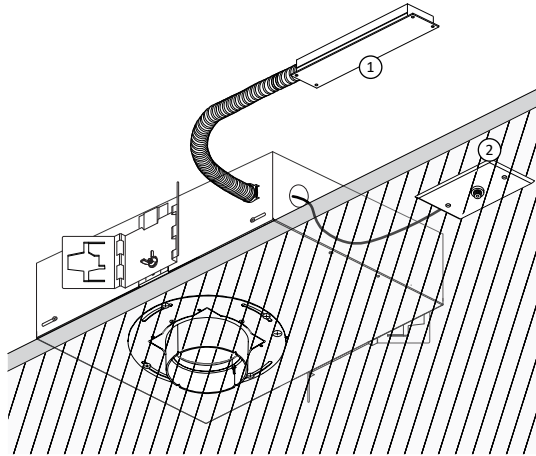


### TRIM FINISH



\*Consult Factory for Made to Order Finishes

### REMOTE EMERGENCY BATTERY



#### IC - Super Shallow New Construction

**ER8W** is an 8W Emergency Battery that is remote to the fixture with a remote test switch. Ceiling access is required for replacement purposes

1. Remote Emergency Battery
2. Remote Test Switch