

3" ARCHITECTURAL ROUND ADJUSTABLE COMPATIBLE WITH ARMSTRONG® WOODWORKS®  
LINEAR SOLID WOOD PANELS 3¼" WIDE PLANKS



### USE OF PRODUCT

The 3" Prime series is a small aperture fixture which is compatible with Armstrong® WoodWorks® linear solid wood panels 3¼" wide planks. Available options include die-cast trims, various temperatures, optics, and dimmable drivers.

### LED ENGINE

LED engine available with CREE LEDs in 2700K, 3000K, 3500K, or 4000K in standard 90+ CRI. 2-step MacAdam ellipse allows for color consistency between fixtures. The LED is mounted to an aluminum heat sink for maximum life output and thermal management. LED engine is accessible from below the ceiling.

### FRAME CONSTRUCTION

Non IC housing is constructed from 20-gauge cold-rolled steel and includes a junction box with ½" knockouts. Custom expandable mounting bars mount directly to ceiling grid.

### OPTICAL LENS

Field replaceable optical lenses are available in 12°, 30°, 35°, 40°, 50°, and 60°. Easily achieve narrow spot to wide flood beam pattern.

### DIMMING

Available in nine driver selections. (ID) Standard all-inclusive ELV (120V), Triac (120V), and 0–10V (120–277V) dimming driver called Intelligent Drive, (EEI) eldoLED 1% Dim 0–10V, (EES) eldoLED 1% Dim 0–10V (120–277V) and Triac (120V), Max 20W, (EDIO) eldoLED 0.1 Dim 0–10V, (EDID) eldoLED 0.1% Dim DALI, (EDD) eldoLED 1% Dim DALI2, (LDE1) Lutron Hi-Lume 1% Ecosystem with Soft-on, Fade-to-Black Dimming, (L3DA) Hi-Lume 1% Ecosystem/3-Wire L3D Driver, (PEQO) Lutron Hi-Lume Premier Ecosystem 0.1% with Soft-on, Fade-to-Black Dimming.

### THERMAL MANAGEMENT

Fixture location ambient temperature should not exceed -20° to 40°C.

### BEVEL

Bevel includes standard frosted acrylic diffuser. Remove standard frosted acrylic diffuser in field for 7% lumens increase. Consult factory for made-to-order finishes. Wet location for bathrooms and showers with standard lens on trim.

### EMERGENCY BATTERY

Optional 8W (≈800 lm) or 15W (≈1,500 lm) emergency battery (EM) provides light for a minimum of 90 minutes. EM is replaceable from below the ceiling.

### LABELS/COMPLIANCE/WARRANTY

- CSA Listed for US and Canada.
- Energy Star certified product.
- Dry/Damp location rated.
- 5-year limited warranty.



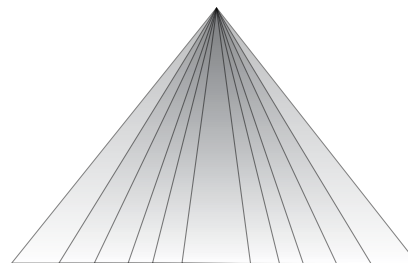
## GENERAL PERFORMANCE CHART

\*Detailed performance chart may be found on page 3

|                         | 6W      | 9W       | 12W       | 15W       | 20W       | 24W       | 28W       | 32W       |
|-------------------------|---------|----------|-----------|-----------|-----------|-----------|-----------|-----------|
| <b>Initial Lumens</b>   | 657/955 | 890/1296 | 1122/1618 | 1267/2015 | 1485/2422 | 2799      | 3128      | 3405      |
| <b>Delivered Lumens</b> | 436-720 | 598-986  | 758-1255  | 947-1558  | 1113-1912 | 1284-2202 | 1437-2455 | 1566-2776 |

\* Values are listed at 3000K, 90+ CRI with a white bevel & trim.  
Delivered lumens range based on beam spread.  
Performance may vary +/- 5%

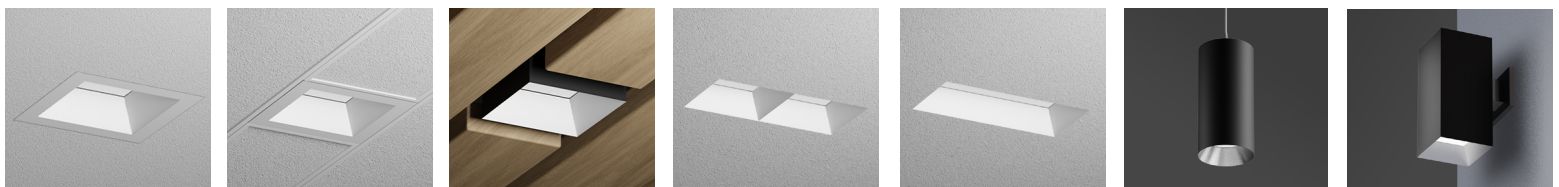
## BEAM SPREAD



Available optics: 12° 30° 35° 40° 50° 60°

- Field replaceable TIR optics
- Easily achieve narrow spot to wide flood beam pattern
- Optional filters available upon request

## PRIME FAMILY OF PRODUCTS



Downlight      TechZone®      WoodWorks®      Multiple Dedicated Bevel      Multiple Open Bevel      Cylinder      Square Luminaire

## 3" ARCHITECTURAL ROUND ADJUSTABLE COMPATIBLE WITH ARMSTRONG® WOODWORKS® LINEAR SOLID WOOD PANELS 3¼" WIDE PLANKS

### ORDERING INFORMATION

| Series | Wattage  | Dimming   | Color Temperature                                    | Optical Lens  | Filter   |
|--------|--|---|--|---|--|
| RPA3   | 6W - 6 Watt<br>9W - 9 Watt<br>12W - 12 Watt<br>15W - 15 Watt<br>20W - 20 Watt<br>24W - 24 Watt<br>28W - 28 Watt<br>32W - 32 Watt | ID <sup>1</sup> - Standard All-Inclusive ELV, Triac, and 0-10V Dimming Driver (Intelligent Drive)<br>EEI <sup>2</sup> - eldoLED 1% Dim (0-10V)<br>EEIS <sup>3</sup> - eldoLED 1% Dim 0-10V (120-277V), Triac (120V), Max 20W<br>EDIO <sup>2</sup> - eldoLED 0.1% Dim (0-10V)<br>EDID <sup>2</sup> - eldoLED 0.1% Dim (DALI)<br>EDD <sup>2</sup> - eldoLED 1% Dim (DALI2)<br>LDE1 <sup>4</sup> - Lutron Hi-Lume 1% Ecosystem with Soft-on, Fade-to-Black Dimming<br>L3DA <sup>4</sup> - Hi-Lume 1% Ecosystem/3-Wire L3D Driver<br>PEQ0 - Lutron Hi-Lume Premier Ecosystem 0.1% with Soft-on, Fade-to-Black Dimming | 27 - 2700K<br>30 - 3000K<br>35 - 3500K<br>40 - 4000K | 12 <sup>5,6</sup> - 12°<br>30 - 30°<br>35 - 35°<br>40 - 40°<br>50 - 50°<br>60 - 60° | None - Leave Blank<br>F - Frosted Filter<br>H - Honey Comb<br>S - Solite Filter<br>L - Linear Filter |

| Housing Type               | Collar                                   | Woodworks Collar Finish                                      | Module Type      | Frame Accessories         |
|----------------------------|--|--|------------------|---------------------------|
| WW8177 - Woodwork No. 8177 | CR15 - 1.5" Depth<br>MTO - Made To Order | B <sup>7</sup> - Black<br>BZ - Bronze<br>MTO - Made To Order | AMH - Adjustable | UH - Universal Bar Hanger |

| Options   | Wireless Controls   | Notes   |
|---|---|---|
| ER8W - Emergency Battery with Remote test switch (800 lm)<br>ER15W - Emergency Battery with Remote test switch (1,500 lm) | AWN - Athena Wireless (Lutron)<br>CLM - Connected Lighting Module (Legrand Wattstopper) | <ol style="list-style-type: none"> <li>Intelligent Drive is the standard driver.</li> <li>Must specify logarithmic or linear eldoLED driver.</li> <li>Driver available up to 20W and programmed only in linear mode.</li> <li>Not offered in 6W.</li> <li>12° available up to 20W.</li> <li>12° spread without lens on trim.</li> <li>Black is the standard color.</li> </ol> |

### TRIM ORDERING INFORMATION

#### DIE-CAST

| Bevel Finish                              | Bevel   | Finish              |
|---|---------|---------------------|
| 3" Round Flangeless Regress Large Opening | 3RLO-CL | W - White           |
|   | 3RLO-CL | B - Black           |
|   | 3RLO-CL | H - Haze            |
|   | 3RLO-CL | BZ - Bronze         |
|   | 3RLO-CL | C - Clear           |
|   | 3RLO-CL | MTO - Made To Order |
| 3" Round Flangeless Accent                | 3RLA-CL | W - White           |
|   | 3RLA-CL | B - Black           |
|   | 3RLA-CL | H - Haze            |
|   | 3RLA-CL | BZ - Bronze         |
|   | 3RLA-CL | C - Clear           |
|   | 3RLA-CL | MTO - Made To Order |

3" ARCHITECTURAL ROUND ADJUSTABLE COMPATIBLE WITH ARMSTRONG® WOODWORKS®  
 LINEAR SOLID WOOD PANELS 3¼" WIDE PLANKS

## PERFORMANCE CHART

| Optics     |                  | <sup>1</sup> 12° | 30°  | 35°  | 40°  | 50°  | 60°  |
|------------|------------------|------------------|------|------|------|------|------|
| <b>6W</b>  | Initial Lumens   | 657              | 955  | 955  | 955  | 955  | 955  |
|            | Delivered Lumens | 555              | 645  | 720  | 717  | 658  | 436  |
|            | UGR              |                  | 11.8 | 12   | 15.1 | 18.1 | 19.1 |
| <b>9W</b>  | Initial Lumens   | 890              | 1296 | 1296 | 1296 | 1296 | 1296 |
|            | Delivered Lumens | 750              | 883  | 986  | 986  | 900  | 598  |
|            | UGR              |                  | 13.1 | 13.3 | 16.5 | 19.6 | 20.5 |
| <b>12W</b> | Initial Lumens   | 1122             | 1618 | 1618 | 1618 | 1618 | 1618 |
|            | Delivered Lumens | 941              | 1120 | 1248 | 1255 | 1140 | 758  |
|            | UGR              |                  | 13.6 | 13.9 | 17.1 | 20.1 | 21.2 |
| <b>15W</b> | Initial Lumens   | 1267             | 2015 | 2015 | 2015 | 2015 | 2015 |
|            | Delivered Lumens | 1007             | 1375 | 1558 | 1558 | 1493 | 947  |
|            | UGR              |                  | 14.4 | 14.6 | 17.8 | 20.8 | 22.7 |
| <b>20W</b> | Initial Lumens   | 1485             | 2422 | 2422 | 2422 | 2422 | 2422 |
|            | Delivered Lumens | 1187             | 1689 | 1912 | 1887 | 1803 | 1113 |
|            | UGR              |                  | 15.1 | 15.4 | 18.5 | 21.5 | 22.5 |
| <b>24W</b> | Initial Lumens   |                  | 2799 | 2799 | 2799 | 2799 | 2799 |
|            | Delivered Lumens |                  | 1947 | 2202 | 2185 | 2083 | 1284 |
|            | UGR              |                  | 15.6 | 15.9 | 19   | 22   | 23   |
| <b>28W</b> | Initial Lumens   |                  | 3128 | 3128 | 3128 | 3128 | 3128 |
|            | Delivered Lumens |                  | 2173 | 2455 | 2446 | 2328 | 1437 |
|            | UGR              |                  | 16   | 16.3 | 19.4 | 22.4 | 23.4 |
| <b>32W</b> | Initial Lumens   |                  | 3405 | 3405 | 3405 | 3405 | 3405 |
|            | Delivered Lumens |                  | 2362 | 2776 | 2666 | 2533 | 1566 |
|            | UGR              |                  | 17.8 | 17   | 19.7 | 22.6 | 23.7 |

\* Values are listed at 3000K, 90+ CRI with a white bevel & trim.

### Notes

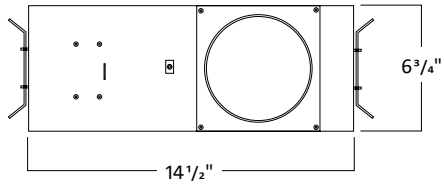
1. 12° spread without lens on trim

## COLOR TEMPERATURE MULTIPLIER FOR DELIVERED LUMENS

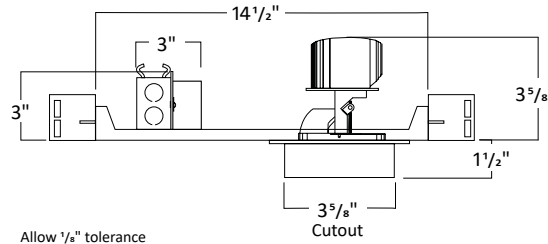
| 2700K | 3000K | 3500K | 4000K |
|-------|-------|-------|-------|
| 0.95  | 1.00  | 1.04  | 1.07  |

3" ARCHITECTURAL ROUND ADJUSTABLE COMPATIBLE WITH ARMSTRONG® WOODWORKS®  
 LINEAR SOLID WOOD PANELS 3 1/4" WIDE PLANKS

## HOUSING DIMENSIONS 6W-20W

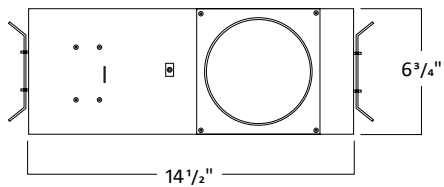


WW8176 - Woodwork No. 8176

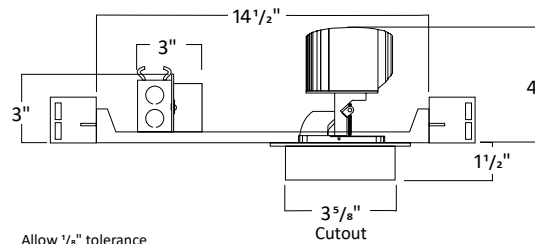


Allow 1/8" tolerance

## HOUSING DIMENSIONS 24W-32W



WW8176 - Woodwork No. 8176



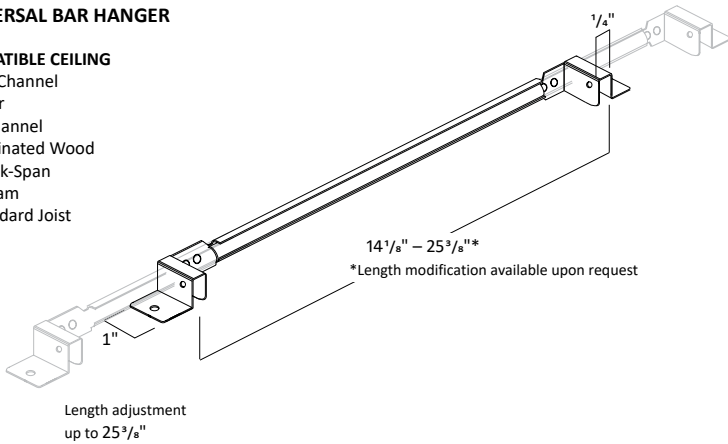
Allow 1/8" tolerance

## FRAME ACCESSORIES

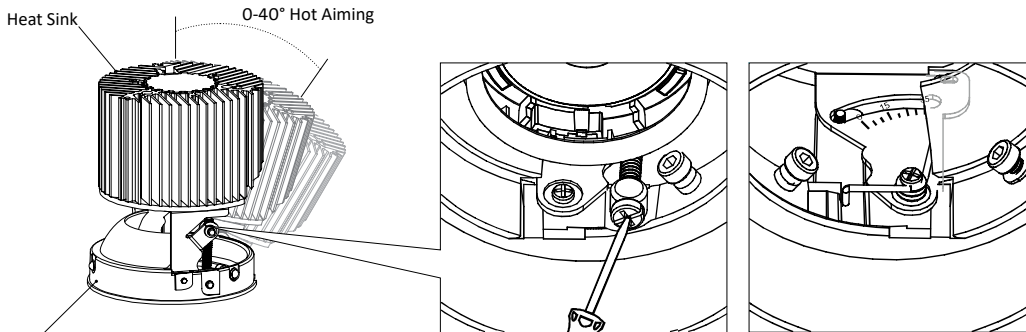
### UNIVERSAL BAR HANGER

#### COMPATIBLE CEILING

- Hat Channel
- T-Bar
- C-Channel
- Laminated Wood
- Quick-Span
- I-Beam
- Standard Joist

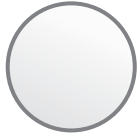


## LED MODULE

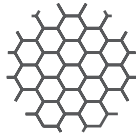


3" ARCHITECTURAL ROUND ADJUSTABLE COMPATIBLE WITH ARMSTRONG® WOODWORKS®  
 LINEAR SOLID WOOD PANELS 3/4" WIDE PLANKS

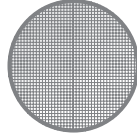
## FILTERS



Frosted Filter



Honey Comb



Solite Filter



Linear Filter

## TRIM DIMENSIONS

