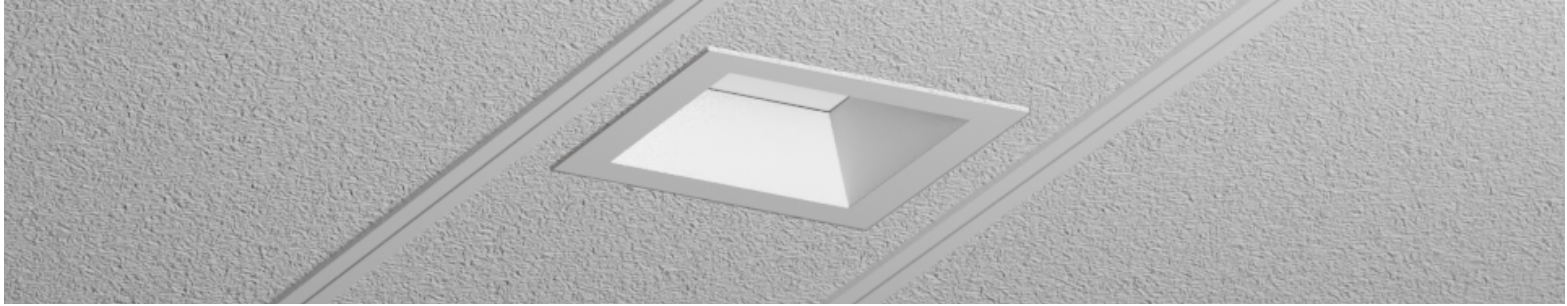


3" ARCHITECTURAL SQUARE FLANGE ADJUSTABLE COMPATIBLE WITH 6" TECHZONE® CEILINGS (SILHOUETTE®, SUPRAFINE®, INTERLUDE®, OR PRELUDE®) BY ARMSTRONG®



USE OF PRODUCT

The 3" Prime series is a small aperture fixture which is compatible with 6" TechZone® ceilings. Allows for seamless installation and integration of luminaires with Silhouette®, Suprafine®, Interlude®, or Prelude® ceiling types offered by Armstrong®. Available options include die-cast trims, various temperatures, optics, and dimmable drivers.

LED ENGINE

LED engine available with CREE LEDs in 2700K, 3000K, 3500K, or 4000K in standard 90+ CRI. 2-step MacAdam ellipse allows for color consistency between fixtures. The LED is mounted to an aluminum heat sink for maximum life output and thermal management. LED engine is accessible from below the ceiling.

FRAME CONSTRUCTION

Non IC housing constructed from 20-gauge cold-rolled steel and includes a junction box with ½" knockouts. Integrated mounting brackets that will snap directly into 6" TechZone® ceiling grids. Compatible with the following series: Silhouette®, Suprafine®, Interlude®, or Prelude®.

GENERAL PERFORMANCE CHART

*Detailed performance chart may be found on page 3

	6W	9W	12W	15W	20W	24W	28W	32W
Initial Lumens	657/955	890/1296	1122/1618	1267/2015	1485/2422	2799	3128	3405
Delivered Lumens	436-720	598-986	758-1255	947-1558	1113-1912	1284-2202	1437-2455	1566-2776

* Values are listed at 3000K, 90+ CRI with a white bevel & trim.
Delivered lumens range based on beam spread.
Performance may vary +/- 5%

OPTICAL LENS

Field replaceable optical lenses are available in 12°, 30°, 35°, 40°, 50°, and 60°. Easily achieve narrow spot to wide flood beam pattern.

DIMMING

Available in nine driver selections. (ID) Standard all-inclusive ELV (120V), Triac (120V), and 0-10V (120-277V) dimming driver called Intelligent Drive, (EEI) eldoLED 1% Dim 0-10V, (EELS) eldoLED 1% Dim 0-10V (120-277V) and Triac (120V), Max 20W, (EDIO) eldoLED 0.1 Dim 0-10V, (EDID) eldoLED 0.1% Dim DALI, (EDD) eldoLED 1% Dim DALI2, (LDE1) Lutron Hi-Lume 1% Ecosystem with Soft-on, Fade-to-Black Dimming, (L3DA) Hi-Lume 1% Ecosystem/3-Wire L3D Driver, (PEQ0) Lutron Hi-Lume Premier Ecosystem 0.1% with Soft-on, Fade-to-Black Dimming.

THERMAL MANAGEMENT

Fixture location ambient temperature should not exceed -20° to 40°C.

TRIM

Flange trims available in die-cast and includes standard frosted acrylic diffuser. Remove standard frosted acrylic diffuser in field for 7% lumens increase. Consult factory for made-to-order finishes. Wet location for bathrooms and showers with standard lens on trim.

EMERGENCY BATTERY

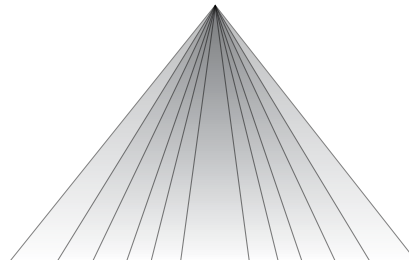
Optional emergency battery available for a minimum of 90 minutes with remote test switch in 800 delivered lumens.

LABELS/COMPLIANCE/WARRANTY

- CSA Listed for US and Canada.
- Energy Star certified product.
- Dry/Damp location rated.
- 5-year limited warranty.



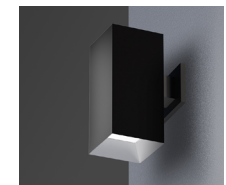
BEAM SPREAD



Available optics: 12° 30° 35° 40° 50° 60°

- Field replaceable TIR optics
- Easily achieve narrow spot to wide flood beam pattern
- Optional filters available upon request

PRIME FAMILY OF PRODUCTS



Downlight

TechZone®

WoodWorks®

Multiple Dedicated Bevel

Multiple Open Bevel

Cylinder

Square Luminaire

3" ARCHITECTURAL SQUARE FLANGE ADJUSTABLE COMPATIBLE WITH 6" TECHZONE® CEILINGS
(SILHOUETTE®, SUPRAFINE®, INTERLUDE®, OR PRELUDE®) BY ARMSTRONG®

ORDERING INFORMATION

Series	Wattage	Dimming	Color Temperature	Optical Lens	Filter
RPA3	6W - 6 Watt 9W - 9 Watt 12W - 12 Watt 15W - 15 Watt 20W - 20 Watt 24W - 24 Watt 28W - 28 Watt 32W - 32 Watt	ID ¹ - Standard All-Inclusive ELV, Triac, and 0-10V Dimming Driver (Intelligent Drive) EEI ² - eldoLED 1% Dim (0-10V) EEIS ³ - eldoLED 1% Dim 0-10V (120-277V), Triac (120V), Max 20W EDIO ² - eldoLED 0.1% Dim (0-10V) EDID ² - eldoLED 0.1% Dim (DALI) EDD ² - eldoLED 1% Dim (DALI2) LDE1 ⁴ - Lutron Hi-Lume 1% Ecosystem with Soft-on, Fade-to-Black Dimming L3DA ⁴ - Hi-Lume 1% Ecosystem/3-Wire L3D Driver PEQO - Lutron Hi-Lume Premier Ecosystem 0.1% with Soft-on, Fade-to-Black Dimming	27 - 2700K 30 - 3000K 35 - 3500K 40 - 4000K	12 ⁵ - 12° 30 - 30° 35 - 35° 40 - 40° 50 - 50° 60 - 60°	None - Leave Blank F - Frosted Filter H - Honey Comb S - Solite Filter L - Linear Filter

Housing Type	Collar	Module Type	Frame Accessories	Options
TZ6 - 6" TechZone® Ceiling	CR10 - 1.0" Depth CR15 - 1.5" Depth MTO - Made To Order	AMH - Adjustable	UH - Universal Bar Hanger	ER8W - Emergency Battery with Remote test switch (800 lm) ER15W - Emergency Battery with Remote test switch (1,500 lm)

TRIM ORDERING INFORMATION

DIE-CAST

Bevel / Flange Finish	Trim Type	Bevel	Flange
May be mixed and matched	3" Square Flange Regress Large Opening	3SFO-CL	W - White
		3SFO-CL	B - Black
		3SFO-CL	H - Haze
		3SFO-CL	BZ - Bronze
		3SFO-CL	MTO - Made To Order
	3" Square Flange Accent	3SFA-CL	W - White
		3SFA-CL	B - Black
		3SFA-CL	H - Haze
		3SFA-CL	BZ - Bronze
		3SFA-CL	MTO - Made To Order

Notes

- Intelligent Drive is the standard driver.
- Must specify logarithmic or linear eldoLED driver.
- Driver available up to 20W and programmed only in linear mode.
- Not offered in 6W.
- 12" spread without lens on trim.

3" ARCHITECTURAL SQUARE FLANGE ADJUSTABLE COMPATIBLE WITH 6" TECHZONE® CEILINGS (SILHOUETTE®, SUPRAFINE®, INTERLUDE®, OR PRELUDE®) BY ARMSTRONG®

PERFORMANCE CHART

Optics		¹ 12°	30°	35°	40°	50°	60°
6W	Initial Lumens	657	955	955	955	955	955
	Delivered Lumens	555	645	720	717	658	436
	UGR		11.8	12	15.1	18.1	19.1
9W	Initial Lumens	890	1296	1296	1296	1296	1296
	Delivered Lumens	750	883	986	986	900	598
	UGR		13.1	13.3	16.5	19.6	20.5
12W	Initial Lumens	1122	1618	1618	1618	1618	1618
	Delivered Lumens	941	1120	1248	1255	1140	758
	UGR		13.6	13.9	17.1	20.1	21.2
15W	Initial Lumens	1267	2015	2015	2015	2015	2015
	Delivered Lumens	1007	1375	1558	1558	1493	947
	UGR		14.4	14.6	17.8	20.8	22.7
20W	Initial Lumens	1485	2422	2422	2422	2422	2422
	Delivered Lumens	1187	1689	1912	1887	1803	1113
	UGR		15.1	15.4	18.5	21.5	22.5
24W	Initial Lumens		2799	2799	2799	2799	2799
	Delivered Lumens		1947	2202	2185	2083	1284
	UGR		15.6	15.9	19	22	23
28W	Initial Lumens		3128	3128	3128	3128	3128
	Delivered Lumens		2173	2455	2446	2328	1437
	UGR		16	16.3	19.4	22.4	23.4
32W	Initial Lumens		3405	3405	3405	3405	3405
	Delivered Lumens		2362	2776	2666	2533	1566
	UGR		17.8	17	19.7	22.6	23.7

* Values are listed at 3000K, 90+ CRI with a white bevel & trim.

Notes

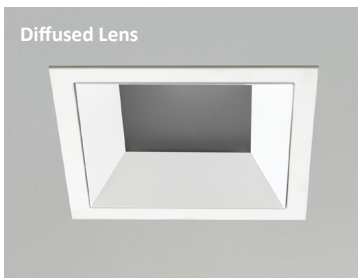
1. 12° spread without lens on trim

COLOR TEMPERATURE MULTIPLIER FOR DELIVERED LUMENS

2700K	3000K	3500K	4000K
0.95	1.00	1.04	1.07

3SFO-CL REGRESS LARGE OPENING

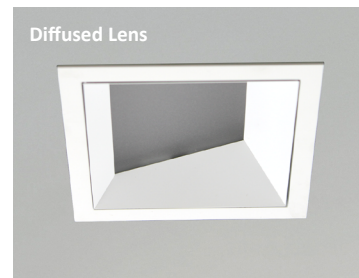
3SFA-CL ACCENT



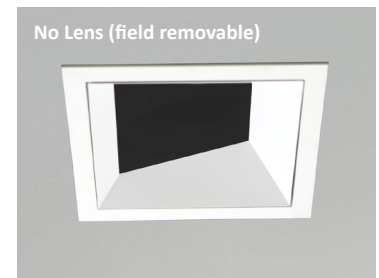
Diffused Lens



No Lens (field removable)



Diffused Lens



No Lens (field removable)

- IES files are based on the open trim with diffused lens.

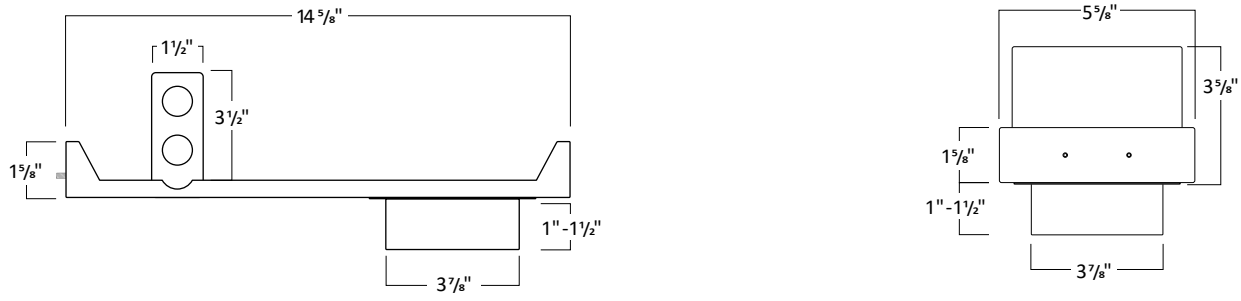
- Not suitable for wet locations
- Increase in lumens by approximately 7%

- IES files are based on the large opening trim with diffused lens.

- IES files are based on the open trim with diffused lens.

3" ARCHITECTURAL SQUARE FLANGE ADJUSTABLE COMPATIBLE WITH 6" TECHZONE® CEILINGS (SILHOUETTE®, SUPRAFINE®, INTERLUDE®, OR PRELUDE®) BY ARMSTRONG®

HOUSING DIMENSIONS

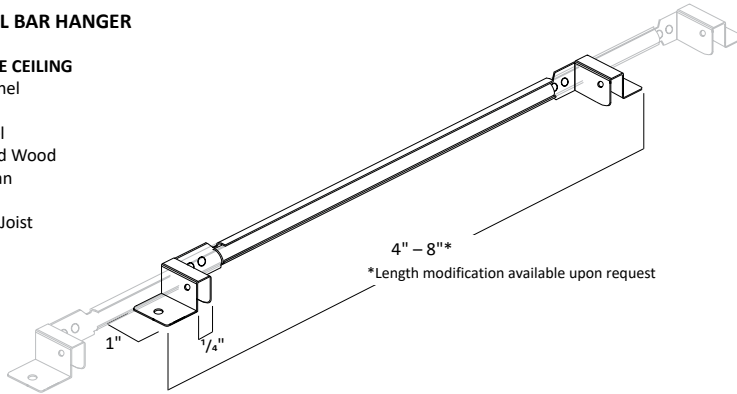


FRAME ACCESSORIES

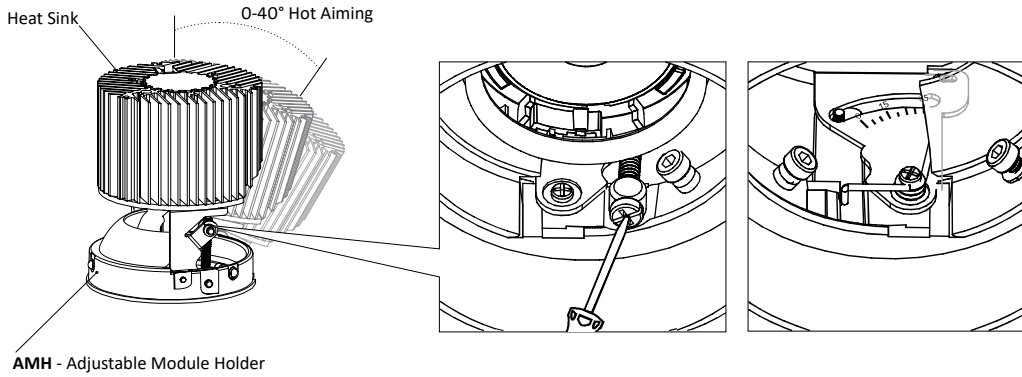
UNIVERSAL BAR HANGER

COMPATIBLE CEILING

- Hat Channel
- T-Bar
- C-Channel
- Laminated Wood
- Quick-Span
- I-Beam
- Standard Joist

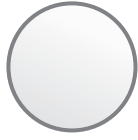


LED MODULE

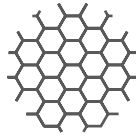


3" ARCHITECTURAL SQUARE FLANGE ADJUSTABLE COMPATIBLE WITH 6" TECHZONE® CEILINGS
(SILHOUETTE®, SUPRAFINE®, INTERLUDE®, OR PRELUDE®) BY ARMSTRONG®

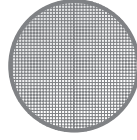
FILTERS



Frosted Filter



Honey Comb

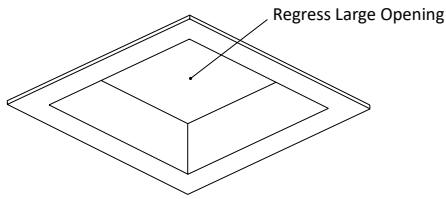


Solite Filter

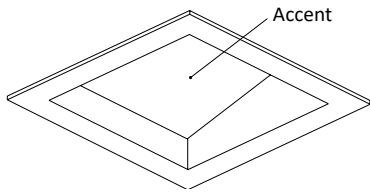
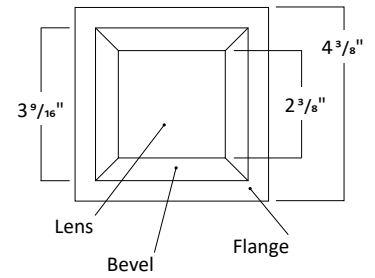
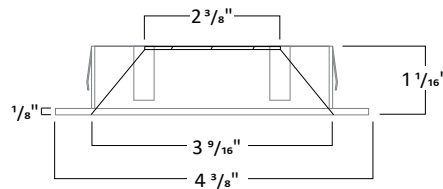


Linear Filter

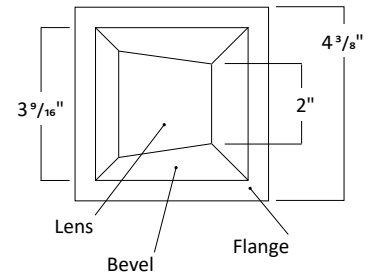
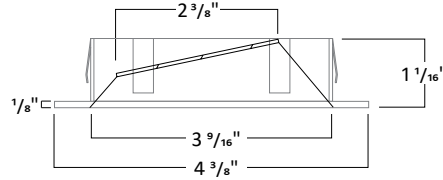
TRIM DIMENSIONS



3SFO-CL



3SFA-CL



TRIM FINISH

May be mixed and matched



White



Black



Haze



Bronze

*Consult Factory for Made to Order Finishes