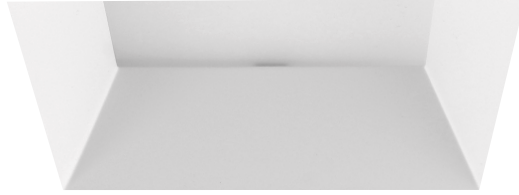


## PRIME 3" LED ARCHITECTURAL SQUARE FLANGELESS DOWNLIGHT



### USE OF PRODUCT

The 3" PRIME Downlight is a small aperture fixture with shallow height that may be used in residential and commercial applications. Die cast trims, with an assortment of color temperatures, optics and dimmable drivers. May be used in plaster, wood and marble ceilings.

### LED ENGINE

LED engine available with CREE LEDs in 2700K, 3000K, 3500K, or 4000K in standard 93+ CRI. 2 Step MacAdam ellipse allows for color consistency between fixtures. LED mounted to aluminum heat sink for maximum life output and thermal management. LED engine is accessible from below ceiling.

### FRAME CONSTRUCTION

IC rated housing constructed from 16 gauge heavy duty powder coated cold rolled steel frame. Junction box with 1/2" knockouts. Trimless Mud adapter plate available for plaster ceilings. Millwork adapter available for marble or wood ceilings. Butterfly bracket included to accommodate adjustable bar hangers or C-channel (ordered separately)

### ADJUSTMENT

- Housing provides for 359° locking rotation  
- Aperture collar adjusts 15°± horizontally within frame for square ceiling alignment

- Collar notch allows for easy alignment for square applications.  
- Aperture collar compatible up to 1-1/2" ceiling thickness.  
- Accommodation for 2" or 3" ceiling thickness available upon request.

### OPTICAL LENS & FILTERS (Field Replaceable)

Field replaceable optical lens available in 12°, 22°, 27°, 35° and 45°. Easily achieve narrow spot to wide flood beam pattern. Accepts up to 2 filters.

### DIMMING

(ID) Standard all-inclusive ELV(120V), Triac(120V), and 0-10V(120-277V) dimming driver called Intelligent Drive, 120-277V. (PEQ0) Lutron Hi-Lume Premier Ecosystem 0.1% w/soft on, fade to black dimming, 120-277V. (LDE1) Lutron Hi-Lume 1% Ecosystem with soft on, fade to black dimming, 120-277V. (L3DA) Hi-lume 1% EcoSystem/3-Wire L3D Driver (EEI) eldoLED Eco 1% Dim (0-10V), 120-277V. (EDIO) eldoLED Solo 0.1% Dim(0-10V), 120-277V. (EDID) eldoLED Solo 0.1% Dim(DALI), 120-277V. Driver accessible from below ceiling.

### THERMAL MANAGEMENT

Ambient temperatures at fixture location should not exceed -20° to 40°C.

### TRIM

Die cast trim. Consult factory for made to order finishes.

### EMERGENCY BATTERY

Optional emergency battery available for a minimum of 90 minutes with remote test switch in 800 delivered lumens.

### LABELS/COMPLIANCE/WARRANTY

- CSA Listed for US and Canada  
- Dry/Damp/Wet location rated.  
- Energy Star  
- Title 24, JA8 Compliant  
- 5 Year limited warranty



## ORDERING INFORMATION

### RPA

| Series       | Aperture Size | Lumens                     | Color Temperature | Voltage       | Dimming   | Optical Lens | Filter             |
|--------------|---------------|----------------------------|-------------------|---------------|---|--------------|--------------------|
| RPA          | 3 - 3"        | 8L - 825 lm                | 27 - 2700K        | UNV - 120-277 | ID <sup>2</sup> - Standard all-inclusive ELV, Triac, and 0-10V dimming driver (Intelligent Drive) | 12 - 12°     | None - Leave blank |
| PRIME Series |               | 12L - 1235 lm              | 30 - 3000K        | 120 - 20V     | PEQ0 <sup>3</sup> - Lutron Hi-Lume Premier Ecosystem 0.1% w/ soft on, fade to black dimming       | 22 - 22°     | F - Frosted filter |
|              |               | 15L - 1500 lm              | 35 - 3500K        | 347 - 347V    | LDE1 <sup>3</sup> - Lutron Hi-Lume 1% Ecosystem with soft on, fade to black dimming               | 27 - 27°     | H - Honey comb     |
|              |               | 18L <sup>1</sup> - 1800 lm | 40 - 4000K        |               | L3DA <sup>3</sup> - Hi-lume 1% EcoSystem/3-Wire L3D Driver  | 35 - 35°     | S - Solite filter  |
|              |               |                            |                   |               | EEI <sup>3</sup> - eldoLED Eco 1% Dim (0-10V)   | 45 - 45°     | L - Linear filter  |
|              |               |                            |                   |               | EDIO <sup>3,4</sup> - eldoLED Solo 0.1% Dim (0-10V)   |              |                    |
|              |               |                            |                   |               | EDID <sup>3,4</sup> - eldoLED Solo 0.1% Dim (DALI)  |              |                    |

| Housing Type                       | Aperture                                    | Frame Accessories                      | Collar              | Options  |
|------------------------------------|---|--|---------------------|--|
| IC - IC Air-tight New Construction | SLDP - Square Flangeless Downlight Plaster  | UH <sup>5</sup> - Universal bar hanger | Blank - 1.0" Depth  | ER8 <sup>2</sup> - Emergency battery with remote switch (800 Lumens) |
| NC - Non-IC New Construction       | SLDM - Square Flangeless Downlight Millwork | C - C Channel bar hanger               | 15 - 1.5" Depth     | CP <sup>5</sup> - Chicago Plenum                                     |
|                                    |   | B - Flat bar hanger                    | 20 - 2.0" Depth     | LAW - Lutron Athena Wireless Node (RF only version)                  |
|                                    |   |  | 30 - 3.0" Depth     |  |
|                                    |   |  | MTO - Made to order |  |

## TRIM ORDERING INFORMATION

| Aperture Size / Shape / Trim Type / Style | Bevel Opening  | Bevel   | Options           |
|---|--|---|-------------------|
| 3SLO - 3" Square Flangeless Open          | CL - Die cast large opening<br>CS - Die cast small opening | W - White<br>B - Black<br>H - Haze<br>BZ - Bronze<br>C - Clear<br>MTO - Made to order | WL - Wet Location |

Notes  
1. Not Available in IC  
2. Intelligent Drive is the standard driver.  
3. Ceiling access required.  
4. Must specify logarithmic or inear eldoLED diver.  
5. Requires IC Housing

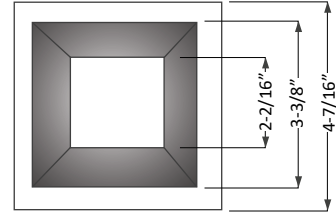
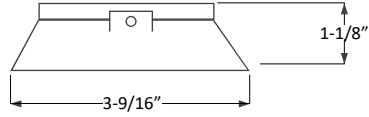
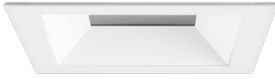
## LUMEN CHART

| Wattage | Delivered Lumens | Voltage    | CRI |
|---------|------------------|------------|-----|
| 10W     | 825 lm           | 120 - 277V | 93+ |
| 14W     | 1235 lm          | 120 - 277V | 93+ |
| 20W     | 1500 lm          | 120 - 277V | 93+ |
| 30W     | 1800 lm          | 120 - 277V | 93+ |

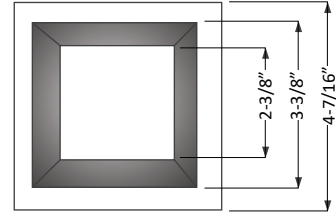
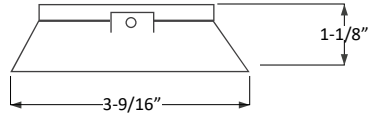
\*Above chart, ordering information, and IES File name reflect delivered lumens based 3000K and 30° optical lens.  
 \*\*Lumens will vary based on CCT, optical lens, and bevel finish.

## TRIM DIMENSION

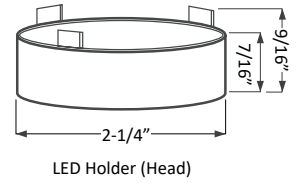
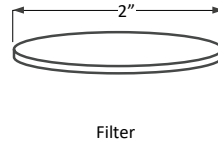
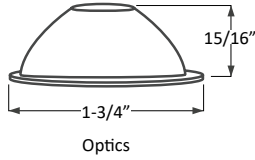
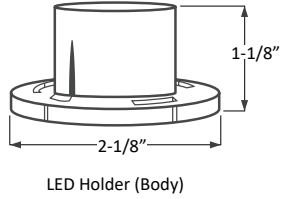
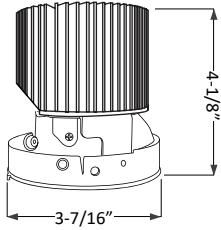
Small Opening



Large Opening



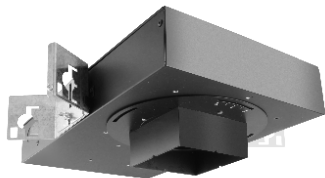
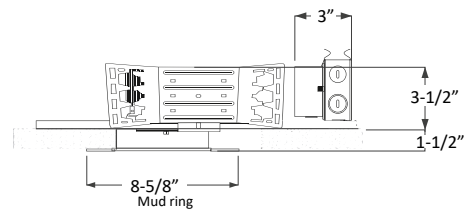
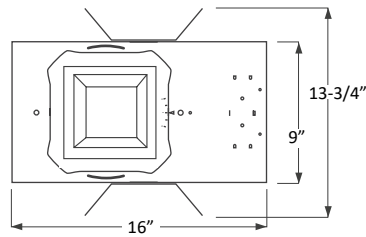
## MODULE/HEATSINK, LED HOLDER & FILTER DIMENSION



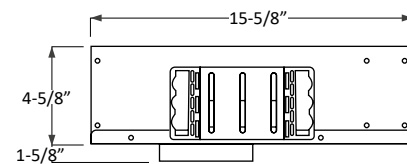
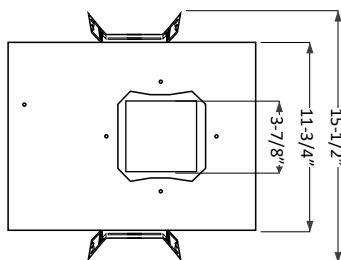
## HOUSING DIMENSION



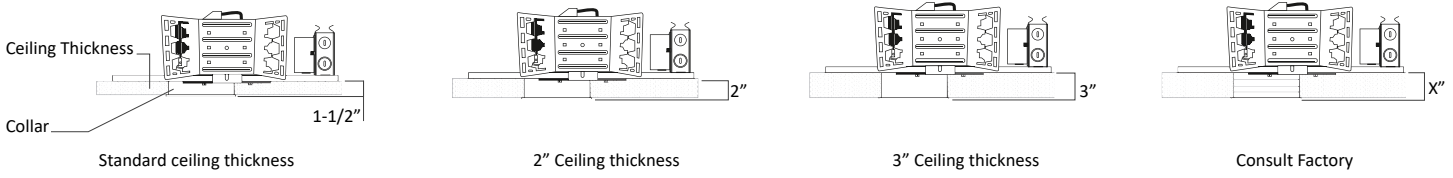
NC - Non-IC New Construction



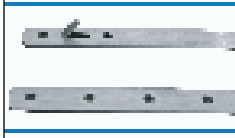
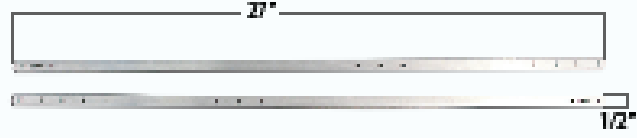
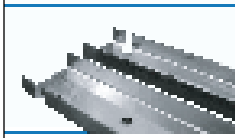
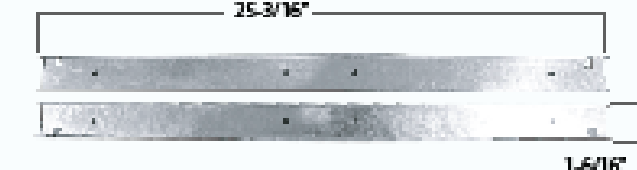

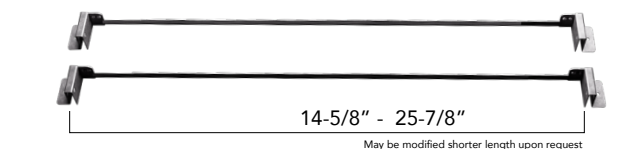
IC - Air-tight New Construction



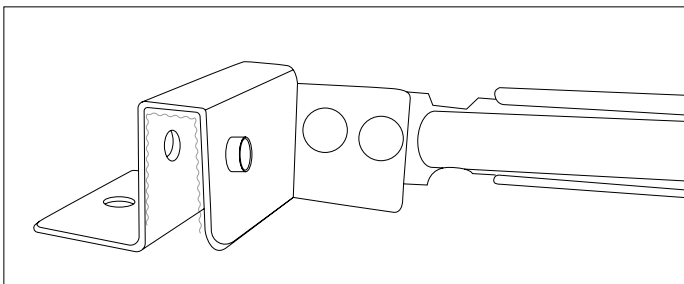
## COLLAR DEPTH PER CEILING THICKNESS



## FRAME ACCESSORIES

|  |  |
|--|--|
| <p><b>B</b><br/>Flat Bar Hanger</p>          |   |
| <p><b>C</b><br/>C Channel Bar Hanger</p>    |    |
| <p><b>UH</b><br/>Universal Bar Hanger</p>  |  <p>May be modified shorter length upon request</p> |

## UNIVERSAL BAR HANGER



- Compatible Ceiling
- Hat Channel
  - T-Bar
  - C Channel
  - Laminated Wood
  - Quick-Span
  - I-Beam
  - Standard Joist