

PRIME 3" LED ARCHITECTURAL SQUARE FLANGE DOWNLIGHT PINHOLE



USE OF PRODUCT

The 3" PRIME Downlight is a small aperture fixture with shallow height that may be used in residential and commercial applications. Die cast trims, with an assortment of color temperatures, optics and dimmable drivers. May be used in plaster, wood and marble ceilings.

PRIME FEATURES

Color Temperature: 2700K, 3000K, 3500K, or 4000K
SDCM: 2 step binning
Color Rendering Index: 93+ CRI
Optical Lens: 12°, 22°, 27°, 35°, 45°
Trim: Die cast
LED Life: 50,000 Hours
LED Type: Cree LED
Driver Info: 120-277V, 50/60 Hz, PF>0.9, THD<0.20
Warranty: 5 year limited warranty

LED ENGINE

LED engine available with CREE LEDs in 2700K, 3000K, 3500K, or 4000K in standard 93+ CRI. 2 Step MacAdam ellipse allows for color consistency between fixtures. LED mounted to aluminum heat sink for maximum life output and thermal management. LED engine is accessible from below ceiling.

FRAME CONSTRUCTION

IC rated housing constructed from 16 gauge heavy duty powder coated cold rolled steel frame. Junction box with 1/2" knockouts. Trimless Mud adapter plate available for plaster ceilings. Millwork adapter available for marble or wood ceilings. Butterfly bracket included to accommodate adjustable bar hangers or C-channel (ordered separately)

ADJUSTMENT

- Housing provides for 359° locking rotation
- Aperture collar compatible up to 1 1/2" ceiling thickness.
- Accommodation for 2" or 3" ceiling thickness available upon request.

OPTICAL LENS & FILTERS (Field Replaceable)

Field replaceable optical lens available in 12°, 22°, 27°, 35° and 45°. Easily achieve narrow spot to wide flood beam pattern. Accepts up to 2 filters.

DIMMING

selections. (ID) Standard all-inclusive ELV(120V), Triac(120V), and 0-10V(120-277V) dimming driver called Intelligent Drive, 120-277V. (PEQ0) Lutron Hi-Lume Premier Ecosystem 0.1% w/soft on, fade to black dimming, 120-277V. (LDE1) Lutron Hi-Lume 1% Ecosystem with soft on, fade to black dimming, 120-277V. (L3DA) Hi-lume 1% EcoSystem/3-Wire L3D Driver (EEI) eldoLED Eco 1% Dim (0-

10V), 120-277V. (EDIO) eldoLED Solo 0.1% Dim(0-10V), 120-277V. (EDID) eldoLED Solo 0.1% Dim(DALI), 120-277V. Driver accessible from below ceiling.

THERMAL MANAGEMENT

Ambient temperatures at fixture location should not exceed -20° to 40°C.

TRIM

Die cast trim. Consult factory for made to order finishes.

EMERGENCY BATTERY

Optional emergency battery available for a minimum of 90 minutes with remote test switch in 800 delivered lumens.

LABELS/COMPLIANCE/WARRANTY

- CSA Listed for US and Canada
- Dry/Damp/Wet location rated.
- Energy Star
- Title 24, JA8 Compliant
- 5 Year limited warranty



ORDERING INFORMATION

RPA

Series	Aperture Size	Lumens	Color Temperature	Voltage	Dimming	Optical Lens	Filter
RPA	3 - 3"	6L - 625 lm	27 - 2700K	UNV - 120-277	ID ¹ - Standard all-inclusive ELV, Triac, and 0-10V dimming driver (Intelligent Drive)	12 - 12°	None - Leave blank
PRIME Series		10L - 1035 lm	30 - 3000K	120 - 20V	PEQ0 - Lutron Hi-Lume Premier Ecosystem 0.1% w/ soft on, fade to black dimming	22 - 22°	F - Frosted filter
		13L - 1300 lm	35 - 3500K	347 - 347V	LDE1 ² - Lutron Hi-Lume 1% Ecosystem with soft on, fade to black dimming	27 - 27°	H - Honey comb
		16L - 1600 lm	40 - 4000K		LTE ² - Hi-lume 1% EcoSystem/3-Wire L3D Driver	35 - 35°	S - Solite filter
					L3DA - eldoLED Eco 1% Dim (0-10V)	45 - 45°	L - Linear filter
					EEI ² - eldoLED Solo 0.1% Dim (0-10V)		
					EDIO ^{2,3} - eldoLED Solo 0.1% Dim (DALI)		
					EDID ^{2,3} -		

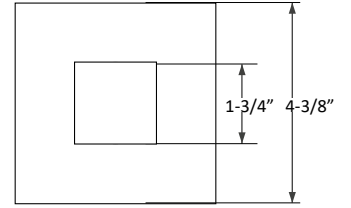
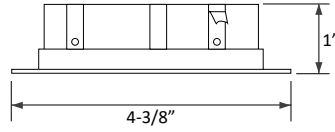
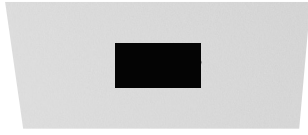
Housing Type	Aperture	Frame Accessories	Collar	Options
IC - Air-tight New Construction	SFDP - Square Flange Downlight Plaster SFDm - Square Flange Downlight Millwork	UH ² - Universal bar hanger C - C Channel bar hanger B - Flat bar hanger	Blank - 1.0" Depth 15 - 1.5" Depth 20 - 2.0" Depth 30 - 3.0" Depth MTO - Made to order	ERB ² - Emergency battery with remote switch (800 Lumens) CP ⁴ - Chicago Plenum DF - Dead Front LAW - Lutron Athena Wireless Node (RF only version)

TRIM ORDERING INFORMATION

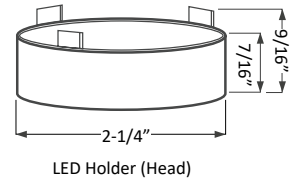
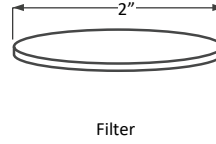
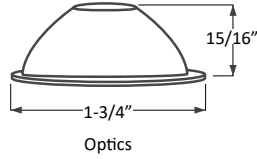
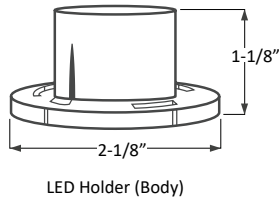
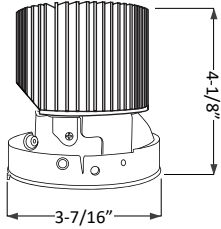
Aperture Size / Shape / Trim Type / Style	Bevel Finish
3SFP - 3" Square Flange Pinhole	W - White B - Black H - Haze BZ - Bronze C - Clear MTO - Made to order

Notes
1. Intelligent Drive is the standard driver.
2. Ceiling access required.
3. Must specify logarithmic or inear eldoLED diver.
4. Requires IC Housing

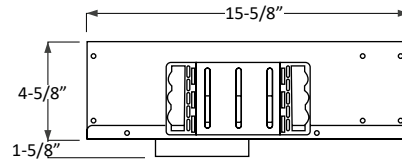
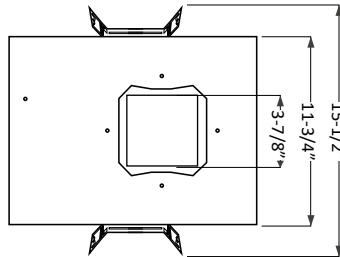
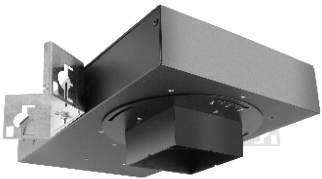
TRIM DIMENSION



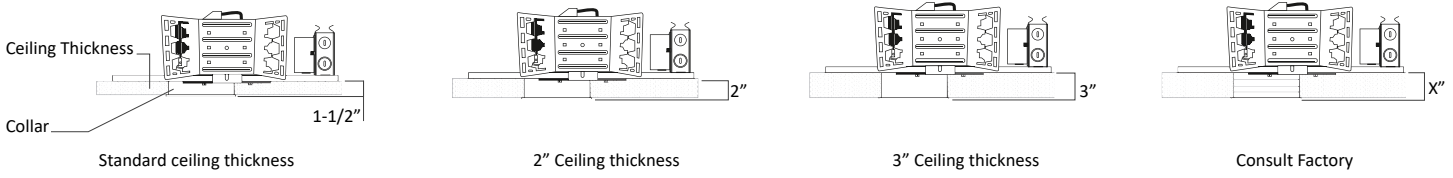
MODULE/HEATSINK, LED HOLDER & FILTER DIMENSION



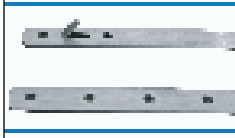
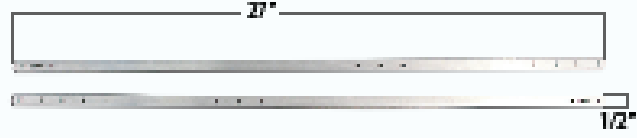
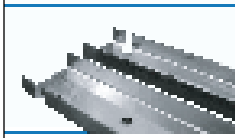
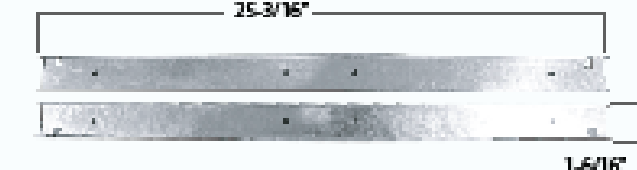

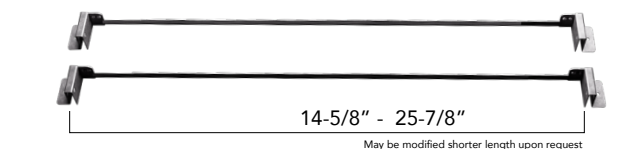
HOUSING DIMENSION



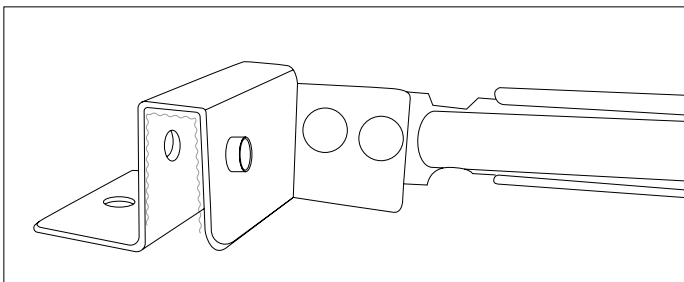
COLLAR DEPTH PER CEILING THICKNESS



FRAME ACCESSORIES

<p>B Flat Bar Hanger</p> 	
<p>C C Channel Bar Hanger</p> 	
<p>UH Universal Bar Hanger</p> 	 <p>May be modified shorter length upon request</p>

UNIVERSAL BAR HANGER



- Compatible Ceiling
- Hat Channel
 - T-Bar
 - C Channel
 - Laminated Wood
 - Quick-Span
 - I-Beam
 - Standard Joist