

3" LED ARCHITECTURAL ROUND FLANGE PINHOLE REMODEL



GENERAL INFORMATION

USE OF PRODUCT

The 3" Prime series is a small aperture fixture which is ideal for residential and commercial applications. Available options include die-cast trims, various color temperatures, optics, filters, and dimmable drivers.

LED ENGINE

LED engine available in 2700K, 3000K, 3500K, or 4000K in standard 90+ CRI. 2-step MacAdam ellipse allows for color consistency between fixtures. The LED is mounted to an aluminum heat sink for maximum life output and thermal management. LED engine is accessible from below the ceiling.

OPTICAL LENS

Field replaceable optical lenses are available in 18°, 24°, 37°, 50°. Easily achieve narrow spot to wide flood beam pattern.

ADJUSTMENT

- Housing supports 359° locking rotation.
- Aperture collar compatible up to 1½" ceiling thickness. Consult factory for made-to-order aperture collars exceeding 1½".

DIMMING

Available in five driver selections. (ID) Standard all-inclusive ELV (120V), Triac (120V), and 0–10V (120–277V) dimming driver called Intelligent Drive. (EEIS) eldoLED 1% Dim 0–10V (120–277V), Triac (120V), Max 20W. (EDIO) eldoLED 0.1% Dim (0–10V), 120–277V. (EDID) eldoLED 0.1% Dim (DALI). (EDD) eldoLED 1% Dim (DALI2). Drivers are accessible from below the ceiling.

TRIM

Flange trims available in die-cast. Consult factory for made-to-order finishes. Wet location for bathrooms and showers with standard lens on trim.

EMERGENCY BATTERY

Optional Emergency Battery (EM) available in 4W (≈400 lm), 8W (≈800 lm), or 15W (≈1,500 lm) available for a minimum of 90 minutes. EM is replaceable from below the ceiling.

LABELS/COMPLIANCE/WARRANTY

- CSA listed for US and Canada
- Dry/Damp/Wet location rated
- 5-year limited warranty



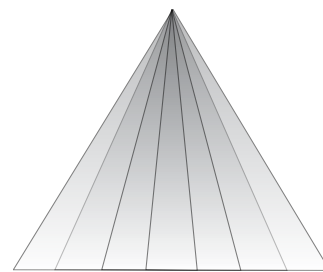
GENERAL PERFORMANCE CHART

*Detailed performance chart may be found on page 3

	6W	9W	12W	15W	20W	24W	28W	32W
Initial Lumens	955	1296	1618	2015	2422	2799	3128	3405
Delivered Lumens	626-752	853-1026	1070-1286	1299-1576	1580-1914	1838-2250	2077-2512	2281-2763

* Values are listed at 3000K, 90+ CRI with a white bevel & trim.
Delivered lumens range based on beam spread.
Performance may vary +/- 5%

BEAM SPREAD



Available optics: 18° 24° 37° 50°

- Field replaceable TIR optics
- Easily achieve narrow spot to wide flood beam pattern
- Optional filters available upon request

PRIME FAMILY OF PRODUCTS



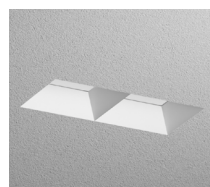
Downlight



TechZone®



WoodWorks®



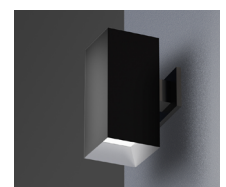
Multiple Dedicated Bevel



Multiple Open Bevel



Cylinder



Square Luminaire

3" LED ARCHITECTURAL ROUND FLANGE PINHOLE REMODEL

ORDERING INFORMATION

Series	Wattage	Dimming	Color Temperature	Optical Lens	Filter
RPA3	6W - 6 Watt 9W - 9 Watt 12W - 12 Watt 15W - 15 Watt 20W - 20 Watt 24W - 24 Watt 28W - 28 Watt 32W - 32 Watt	ID¹ - Standard All-Inclusive ELV(120V), Triac(120V), and 0-10V(120-277V) Dimming Driver (Intelligent Drive) EEIS^{2,3} - eldoLED 1% Dim 0-10V (120-127V), Triac (120V) EDIO² - eldoLED 0.1% Dim (0-10V) EDID² - eldoLED 0.1% Dim (DALI) EDD² - eldoLED 1% Dim (DALI2)	27K - 2700K 30K - 3000K 35K - 3500K 40K - 4000K	18 - 18° 24 - 24° 37 - 37° 50 - 50°	None - Included F - Frosted Filter H - Honey Comb S - Solite Filter L - Linear Filter

Housing Type	Module Type	Options	Notes
FRR - Remodel Round	FMH - Downlight AMH - Adjustable	ER4W - Emergency Battery with Remote Test Switch (400 lm) ER8W - Emergency Battery with Remote Test Switch (800 lm) ER15W - Emergency Battery with Remote Test Switch (1,500 lm)	1. Intelligent Drive is the standard driver 2. Must specify logarithmic or linear eldoLED driver 3. Available up to 20W only 4. 12° available up to 20W 5. 12° spread without lens on trim

TRIM ORDERING INFORMATION

Trim Finish	Flange Trim
3" Round Flange Pinhole	3RFPW - White trim 3RFPB - Black trim 3RFPMTO - Made to order

3" LED ARCHITECTURAL ROUND FLANGE PINHOLE REMODEL

PERFORMANCE CHART

Optics		18°	24°	37°	50°
6W	Initial Lumens	955	955	955	955
	Delivered Lumens	626	707	726	752
	UGR	5.1	3.4	8.6	18.2
9W	Initial Lumens	1296	1296	1296	1296
	Delivered Lumens	853	979	1006	1026
	UGR	6.7	3.5	8.5	18.1
12W	Initial Lumens	1618	1618	1618	1618
	Delivered Lumens	1070	1232	1272	1286
	UGR	7.6	4.1	8.6	18.1
15W	Initial Lumens	2015	2015	2015	2015
	Delivered Lumens	1299	1520	1557	1576
	UGR	8.1	4.8	8.4	18.1
20W	Initial Lumens	2422	2422	2422	2422
	Delivered Lumens	1580	1846	1898	1914
	UGR	8.6	5.3	8.3	18.1
24W	Initial Lumens	2799	2799	2799	2799
	Delivered Lumens	1838	2147	2209	2250
	UGR	8.9	5.7	8.5	18.2
28W	Initial Lumens	3128	3128	3128	3128
	Delivered Lumens	2077	2420	2494	2512
	UGR	9.2	5.9	8.5	18.4
32W	Initial Lumens	3405	3405	3405	3405
	Delivered Lumens	2281	2665	2750	2763
	UGR	9.3	5.1	8.6	18.3

* Values are listed at 3000K, 90+ CRI with trim and fixed module.

COLOR TEMPERATURE MULTIPLIER FOR DELIVERED LUMENS

2700K	3000K	3500K	4000K
0.95	1.00	1.04	1.07

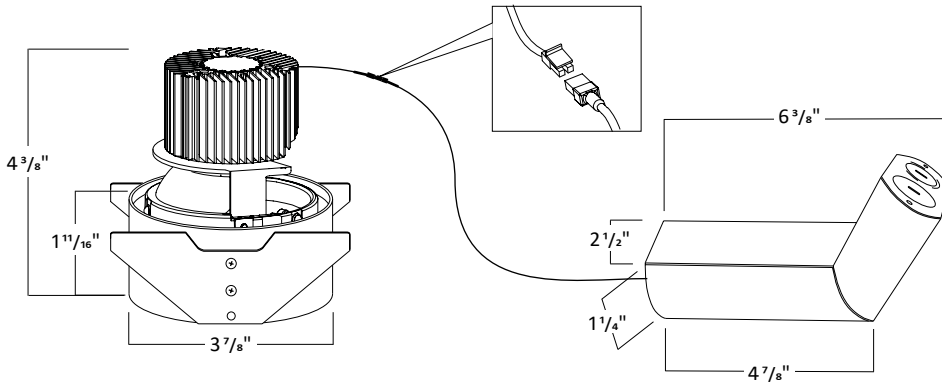
3RFP FLANGE PINHOLE



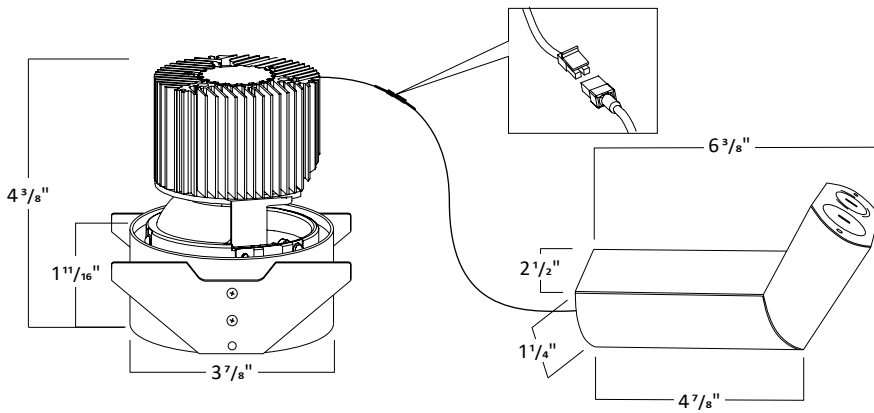
- Available without lens only

3" LED ARCHITECTURAL ROUND FLANGE PINHOLE REMODEL

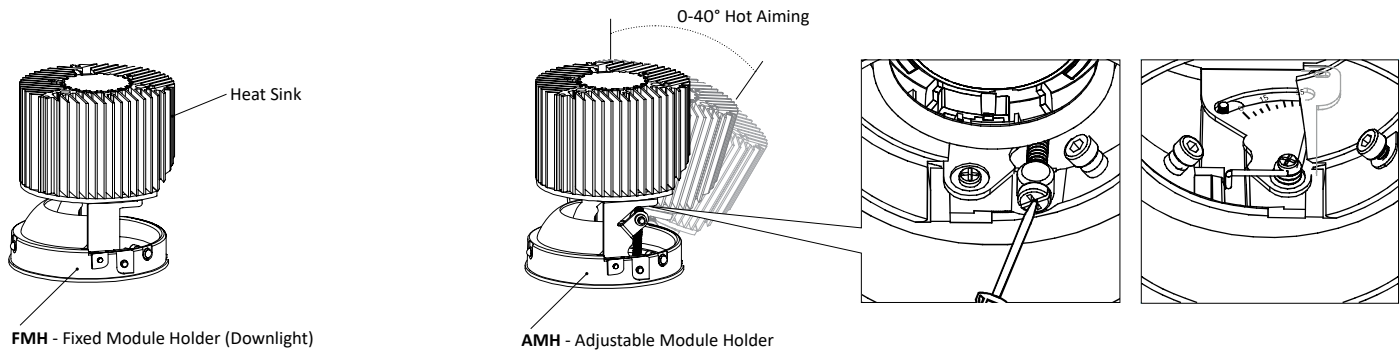
REMODEL HOUSING DIMENSIONS 6W-20W



REMODEL HOUSING DIMENSIONS 24W-32W

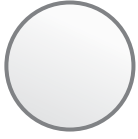


LED MODULE



3" LED ARCHITECTURAL ROUND FLANGE PINHOLE REMODEL

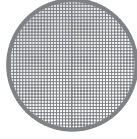
FILTERS



Frosted Filter



Honey Comb

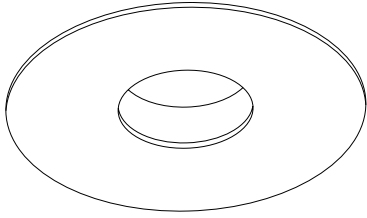


Solite Filter

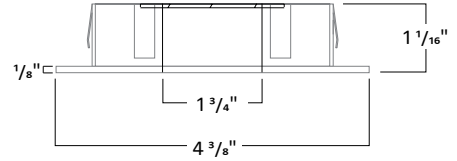
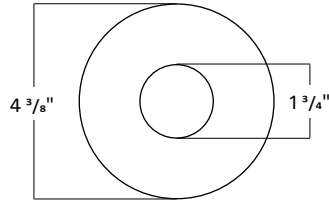


Linear Filter

TRIM DIMENSIONS



3RFP



TRIM FINISH



White



Black

*Consult Factory for Made to Order Finishes