

2" ARCHITECTURAL SQUARE FLANGE WALL WASH COMPATIBLE WITH 4" TECHZONE® CEILINGS (SILHOUETTE®, SUPRAFINE®, INTERLUDE®, OR PRELUDE®) BY ARMSTRONG®



USE OF PRODUCT

The 2" Prime series is a small aperture fixture which is compatible with 4" TechZone® ceilings. Allows for seamless installation and integration of luminaires with Silhouette®, Suprafine®, Interlude®, or Prelude® ceiling types offered by Armstrong®. Available options include die-cast trims, various temperatures, optics, and dimmable drivers.

LED ENGINE

LED engine available with CREE LEDs in 2700K, 3000K, 3500K, or 4000K in standard 90+ CRI. 2-step MacAdam ellipse allows for color consistency between fixtures. The LED is mounted to an aluminum heat sink for maximum life output and thermal management. LED engine is accessible from below the ceiling.

FRAME CONSTRUCTION

Non IC housing constructed from 20-gauge cold-rolled steel and includes a junction box with ½" knockouts. Integrated mounting brackets that will snap directly into 4" TechZone® ceiling grids. Compatible with the following series: Silhouette®, Suprafine®, Interlude®, or Prelude®.

GENERAL PERFORMANCE CHART

*Detailed performance chart may be found on page 3

	6W	9W	12W	15W	20W
Initial Lumens	955	1296	1618	2015	2422
Delivered Lumens	593-619	805-840	1009-1050	1225-1273	1486-1546

* Values are listed at 3000K, 90+ CRI with a white bevel & trim.
Delivered lumens range based on beam spread.
Performance may vary +/- 5%

OPTICAL LENS

Field replaceable optical lenses are available in 15°, 24°, 36°, and 50° Easily achieve narrow spot to wide flood beam pattern.

DIMMING

Available in six driver selections. (ID) Standard all-inclusive ELV (120V), Triac (120V), and 0-10V (120-277V) dimming driver called Intelligent Drive. (EIS) eldoLED 1% Dim 0-10V (120-277V), Triac (120V), Max 20W. (EDIO) eldoLED 0.1% Dim (0-10V), 120-277V. (EDID) eldoLED 0.1% Dim (DALI), (EDD) eldoLED 1% Dim (DALI2), (PEQ0) Lutron Hi-Lume Premier Ecosystem 0.1% with Soft-on, Fade-to-Black Dimming. Drivers are accessible from below the ceiling.

THERMAL MANAGEMENT

Fixture location ambient temperature should not exceed -20° to 40°C.

TRIM

Flange trims available in die-cast and includes standard frosted acrylic diffuser. Remove standard frosted acrylic diffuser in field for 7% lumens increase. Consult factory for made-to-order finishes. Wet location for bathrooms and showers with standard lens on trim.

EMERGENCY BATTERY

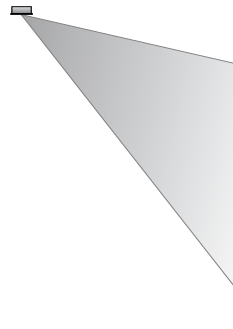
Optional Emergency Battery (EM) available in 8W (~800 lm), or 15W (~1,500 lm) available for a minimum of 90 minutes.

LABELS/COMPLIANCE/WARRANTY

- CSA Listed for US and Canada.
- Energy Star certified product.
- Dry/Damp location rated.
- 5-year limited warranty.

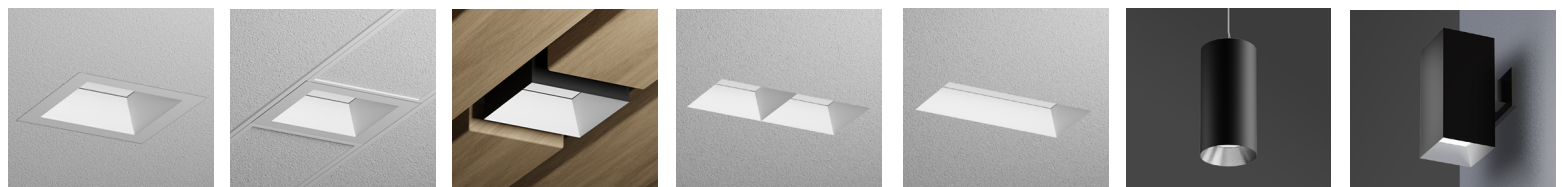


BEAM SPREAD



Field replaceable TIR optics

PRIME FAMILY OF PRODUCTS



Downlight

TechZone®

WoodWorks®

Multiple Dedicated Bevel

Multiple Open Bevel

Cylinder

Square Luminaire

2" ARCHITECTURAL SQUARE FLANGE WALL WASH COMPATIBLE WITH 4" TECHZONE® CEILINGS
(SILHOUETTE®, SUPRAFINE®, INTERLUDE®, OR PRELUDE®) BY ARMSTRONG®

ORDERING INFORMATION

Series	Wattage	Dimming	Color Temperature	Optical Lens	Filter
RPA2	6W - 6 Watt 9W - 9 Watt 12W - 12 Watt 15W - 15 Watt 20W - 20 Watt	ID³ - Standard All-Inclusive ELV(120V), Triac(120V), and 0-10V(120-277V) Dimming Driver (Intelligent Drive) EEIS² - eldoLED 1% Dim 0–10V (120-127V), Triac (120V) EDIO³ - eldoLED 0.1% Dim (0–10V) EDID³ - eldoLED 0.1% Dim (DALI) EDD³ - eldoLED 1% Dim (DALI2) PEQO - Lutron Hi-Lume Premier Ecosystem 0.1% with Soft-on, Fade-to-Black Dimming	27 - 2700K 30 - 3000K 35 - 3500K 40 - 4000K	15 - 15° 24 - 24° 36 - 36° 50 - 50°	None - Leave Blank F - Frosted Filter H - Honey Comb S - Solite Filter L - Linear Filter

Housing Type	Collar	Module Type	Frame Accessories	Options
TZ4 - 4" TechZone® Ceiling	CS10 - 1.0" Depth CS15 - 1.5" Depth MTO - Made To Order	AMHW - Accent Wall Wash	UH - Universal Bar Hanger	ER8W - Emergency Battery with Remote test switch (800 lm) ER15W - Emergency Battery with Remote test switch (1,500 lm)

TRIM ORDERING INFORMATION

DIE-CAST

Bevel / Flange Finish	Trim Type	Bevel	Flange
May be mixed and matched	2SFA-CL	W - White	W - White
	2SFA-CL	B - Black	B - Black
	2SFA-CL	H - Haze	BZ - Bronze
	2SFA-CL	BZ - Bronze	MTO - Made To Order
	2SFA-CL	MTO - Made To Order	

Notes

- Intelligent Drive is the standard driver.
- Programmed only in linear mode.
- Must specify logarithmic or linear eldoLED driver.

2" ARCHITECTURAL SQUARE FLANGE WALL WASH COMPATIBLE WITH 4" TECHZONE® CEILINGS (SILHOUETTE®, SUPRAFINE®, INTERLUDE®, OR PRELUDE®) BY ARMSTRONG®

PERFORMANCE CHART

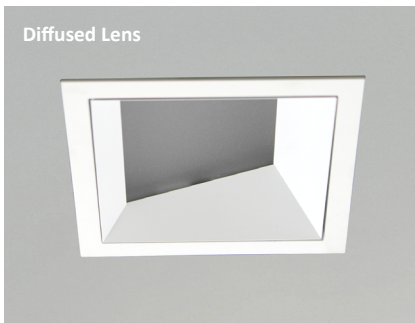
Optics		15°	24°	36°	50°
6W	Initial Lumens	955	955	955	955
	Delivered Lumens	593	618	619	611
9W	Initial Lumens	1296	1296	1296	1296
	Delivered Lumens	805	840	840	830
12W	Initial Lumens	1618	1618	1618	1618
	Delivered Lumens	1009	1050	1050	1037
15W	Initial Lumens	2015	2015	2015	2015
	Delivered Lumens	1225	1273	1273	1257
20W	Initial Lumens	2422	2422	2422	2422
	Delivered Lumens	1486	1543	1546	1524

* Values are listed at 3000K, 90+ CRI with a white bevel & trim.

COLOR TEMPERATURE MULTIPLIER FOR DELIVERED LUMENS

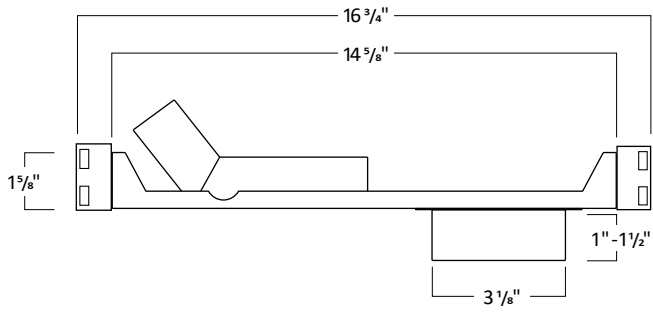
2700K	3000K	3500K	4000K
0.95	1.00	1.04	1.07

2SFA-CL ACCENT

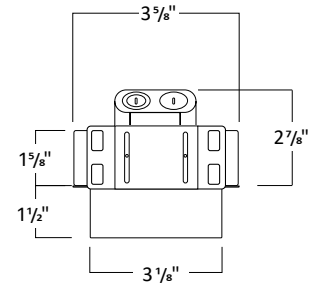


2" ARCHITECTURAL SQUARE FLANGE WALL WASH COMPATIBLE WITH 4" TECHZONE® CEILINGS (SILHOUETTE®, SUPRAFINE®, INTERLUDE®, OR PRELUDE®) BY ARMSTRONG®

HOUSING DIMENSIONS



1. Must remove spacer to achieve 1 1/2" collar height
2. Consult factory for Made to Order collar height
3. Allow 1/8" tolerance

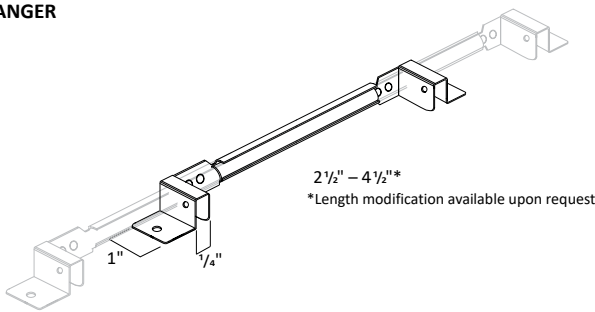


FRAME ACCESSORIES

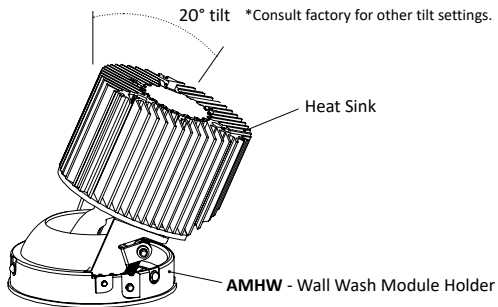
UNIVERSAL BAR HANGER

COMPATIBLE CEILING

- Hat Channel
- T-Bar
- C-Channel
- Laminated Wood
- Quick-Span
- I-Beam
- Standard Joist

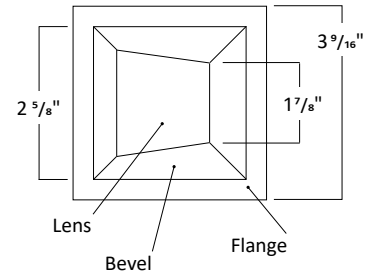
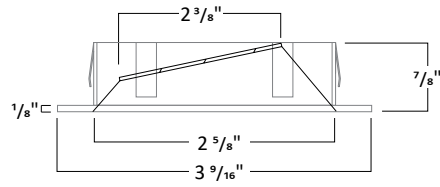
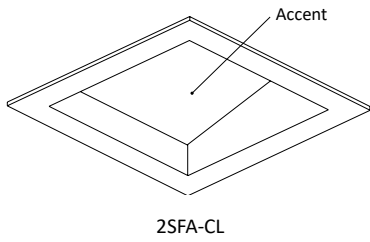


LED MODULE



2" ARCHITECTURAL SQUARE FLANGE WALL WASH COMPATIBLE WITH 4" TECHZONE® CEILINGS
(SILHOUETTE®, SUPRAFINE®, INTERLUDE®, OR PRELUDE®) BY ARMSTRONG®

TRIM DIMENSIONS



TRIM FINISH

May be mixed and matched



White



Black



Haze



Bronze

*Consult Factory for Made to Order Finishes