

2" ARCHITECTURAL SQUARE FLANGE ADJUSTABLE COMPATIBLE WITH 4" TECHZONE® CEILINGS (SILHOUETTE®, SUPRAFINE®, INTERLUDE®, OR PRELUDE®) BY ARMSTRONG®



USE OF PRODUCT

The 2" Prime series is a small aperture fixture which is compatible with 4" TechZone® ceilings. Allows for seamless installation and integration of luminaires with Silhouette®, Suprafine®, Interlude®, or Prelude® ceiling types offered by Armstrong®. Available options include die-cast trims, various temperatures, optics, and dimmable drivers.

LED ENGINE

LED engine available with CREE LEDs in 2700K, 3000K, 3500K, or 4000K in standard 90+ CRI. 2-step MacAdam ellipse allows for color consistency between fixtures. The LED is mounted to an aluminum heat sink for maximum life output and thermal management. LED engine is accessible from below the ceiling.

FRAME CONSTRUCTION

Non IC housing constructed from 20-gauge cold-rolled steel and includes a junction box with ½" knockouts. Integrated mounting brackets that will snap directly into 4" TechZone® ceiling grids. Compatible with the following series: Silhouette®, Suprafine®, Interlude®, or Prelude®.

GENERAL PERFORMANCE CHART

*Detailed performance chart may be found on page 3

	6W	9W	12W	15W	20W
Initial Lumens	657/955	890/1296	1122/1618	1267/2015	1485/2422
Delivered Lumens	599-784	809-1074	969-1360	1094-1685	1284-2070

* Values are listed at 3000K, 90+ CRI with a white bevel & trim.
Delivered lumens range based on beam spread.
Performance may vary +/- 5%

OPTICAL LENS

Field replaceable optical lenses are available in 17°, 35°, 40°, 50°, and 55° Easily achieve narrow spot to wide flood beam pattern.

DIMMING

Available in six driver selections. (ID) Standard all-inclusive ELV (120V), Triac (120V), and 0-10V (120-277V) dimming driver called Intelligent Drive. (EEIS) eldoLED 1% Dim 0-10V (120-277V), Triac (120V), Max 20W. (EDIO) eldoLED 0.1% Dim (0-10V), 120-277V. (EDID) eldoLED 0.1% Dim (DALI), (EDD) eldoLED 1% Dim (DALI2), (PEQ0) Lutron Hi-Lume Premier Ecosystem 0.1% with Soft-on, Fade-to-Black Dimming. Drivers are accessible from below the ceiling.

THERMAL MANAGEMENT

Fixture location ambient temperature should not exceed -20° to 40°C.

TRIM

Flange trims available in die-cast and includes standard frosted acrylic diffuser. Remove standard frosted acrylic diffuser in field for 7% lumens increase. Consult factory for made-to-order finishes. Wet location for bathrooms and showers with standard lens on trim.

EMERGENCY BATTERY

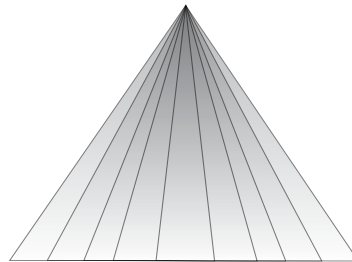
Optional Emergency Battery (EM) available in 8W (~800 lm), or 15W (~1,500 lm) available for a minimum of 90 minutes.

LABELS/COMPLIANCE/WARRANTY

- CSA Listed for US and Canada.
- Energy Star certified product.
- Dry/Damp location rated.
- 5-year limited warranty.



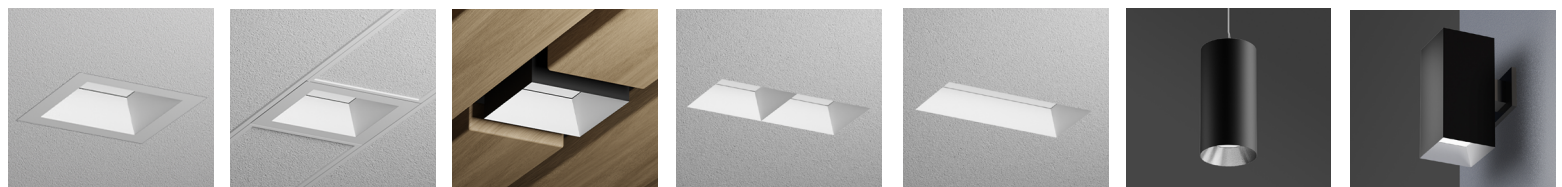
BEAM SPREAD



Available optics: 17° 35° 40° 50° 55°

- Field replaceable TIR optics
- Easily achieve narrow spot to wide flood beam pattern
- Optional filters available upon request

PRIME FAMILY OF PRODUCTS



Downlight TechZone® WoodWorks® Multiple Dedicated Bevel Multiple Open Bevel Cylinder Square Luminaire

2" ARCHITECTURAL SQUARE FLANGE ADJUSTABLE COMPATIBLE WITH 4" TECHZONE® CEILINGS
(SILHOUETTE®, SUPRAFINE®, INTERLUDE®, OR PRELUDE®) BY ARMSTRONG®

ORDERING INFORMATION

Series	Wattage	Dimming	Color Temperature	Optical Lens	Filter
RPA2	6W - 6 Watt 9W - 9 Watt 12W - 12 Watt 15W - 15 Watt 20W - 20 Watt	ID ³ - Standard All-Inclusive ELV(120V), Triac(120V), and 0-10V(120-277V) Dimming Driver (Intelligent Drive) EEIS ² - eldoLED 1% Dim 0-10V (120-127V), Triac (120V) EDIO ³ - eldoLED 0.1% Dim (0-10V) EDID ³ - eldoLED 0.1% Dim (DALI) EDD ³ - eldoLED 1% Dim (DALI2) PEQO - Lutron Hi-Lume Premier Ecosystem 0.1% with Soft-on, Fade-to-Black Dimming	27 - 2700K 30 - 3000K 35 - 3500K 40 - 4000K	17 ⁴ - 17° 35 - 35° 40 - 40° 50 - 50° 55 - 55°	None - Leave Blank F - Frosted Filter H - Honey Comb S - Solite Filter L - Linear Filter

Housing Type	Collar	Module Type	Frame Accessories	Options
TZ4 - 4" TechZone® Ceiling	CS10 - 1.0" Depth CS15 - 1.5" Depth MTO - Made To Order	AMH - Adjustable	UH - Universal Bar Hanger	ER8W - Emergency Battery with Remote test switch (800 lm) ER15W - Emergency Battery with Remote test switch (1,500 lm)

TRIM ORDERING INFORMATION

DIE-CAST

Bevel / Flange Finish	Trim Type	Bevel	Flange
May be mixed and matched	2" Square Flange Regress Large Opening	2SFO-CL	W - White
		2SFO-CL	B - Black
		2SFO-CL	H - Haze
		2SFO-CL	BZ - Bronze
		2SFO-CL	MTO - Made To Order
	2" Square Flange Accent	2SFA-CL	W - White
		2SFA-CL	B - Black
		2SFA-CL	H - Haze
		2SFA-CL	BZ - Bronze
		2SFA-CL	MTO - Made To Order

Notes

1. Intelligent Drive is the standard driver.
2. Programmed only in linear mode.
3. Must specify logarithmic or linear eldoLED driver.
4. 17° spread without lens on trim.

2" ARCHITECTURAL SQUARE FLANGE ADJUSTABLE COMPATIBLE WITH 4" TECHZONE® CEILINGS (SILHOUETTE®, SUPRAFINE®, INTERLUDE®, OR PRELUDE®) BY ARMSTRONG®

PERFORMANCE CHART

Optics		¹ 17°	35°	40°	50°	55°
6W	Initial Lumens	657	955	955	955	955
	Delivered Lumens	537	645	675	672	678
	UGR		16.8	17	20	20.3
9W	Initial Lumens	890	1296	1296	1296	1296
	Delivered Lumens	729	885	925	920	926
	UGR		18.2	18.3	21.2	21.5
12W	Initial Lumens	1122	1618	1618	1618	1618
	Delivered Lumens	920	1123	1171	1170	1169
	UGR		18.7	18.8	22.2	22.3
15W	Initial Lumens	1267	2015	2015	2015	2015
	Delivered Lumens	1020	1371	1410	1452	1415
	UGR		19.5	19.6	21.1	22.4
20W	Initial Lumens	1485	2422	2422	2422	2422
	Delivered Lumens	1199	1662	1706	1756	1714
	UGR		20.2	20.3	21.7	23.1

* Values are listed at 3000K, 90+ CRI with a white bevel & trim.

Notes

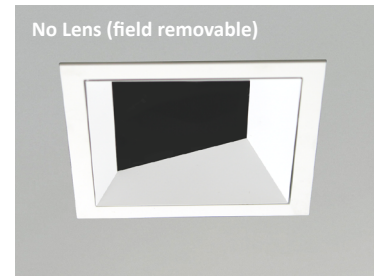
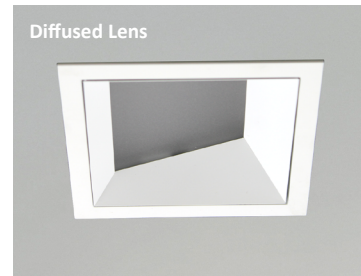
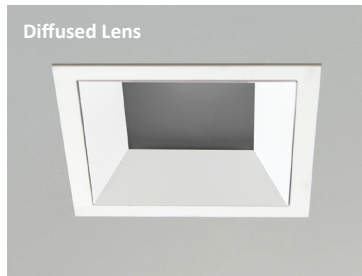
1. 17° spread without lens on trim

COLOR TEMPERATURE MULTIPLIER FOR DELIVERED LUMENS

2700K	3000K	3500K	4000K
0.95	1.00	1.04	1.07

2SFO-CL REGRESS LARGE OPENING

2SFA-CL ACCENT



- IES files are based on the open trim with diffused lens.

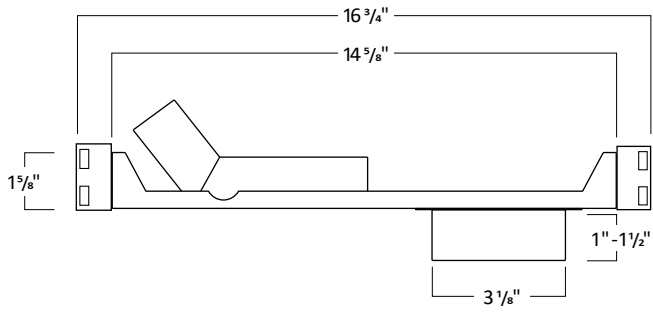
- Not suitable for wet locations
- Increase in lumens by approximately 7%

- IES files are based on the large opening trim with diffused lens.

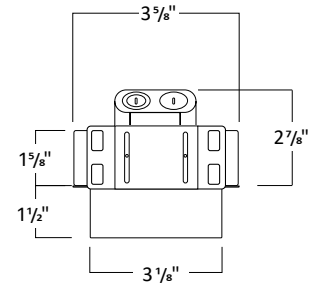
- IES files are based on the open trim with diffused lens.

2" ARCHITECTURAL SQUARE FLANGE ADJUSTABLE COMPATIBLE WITH 4" TECHZONE® CEILINGS (SILHOUETTE®, SUPRAFINE®, INTERLUDE®, OR PRELUDE®) BY ARMSTRONG®

HOUSING DIMENSIONS



1. Must remove spacer to achieve 1 1/2" collar height
2. Consult factory for Made to Order collar height
3. Allow 1/8" tolerance

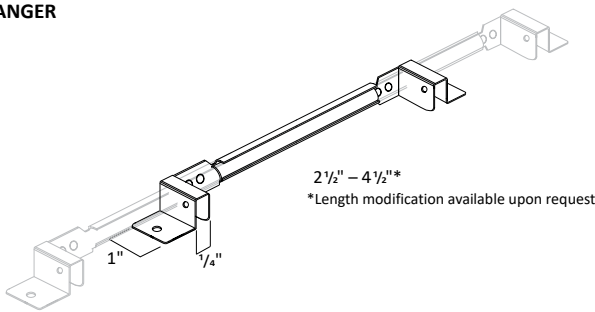


FRAME ACCESSORIES

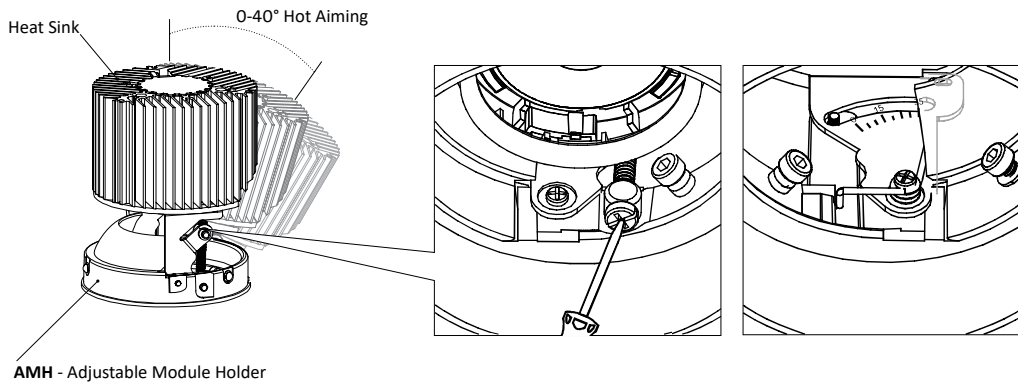
UNIVERSAL BAR HANGER

COMPATIBLE CEILING

- Hat Channel
- T-Bar
- C-Channel
- Laminated Wood
- Quick-Span
- I-Beam
- Standard Joist

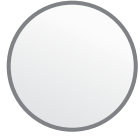


LED MODULE

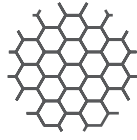


2" ARCHITECTURAL SQUARE FLANGE ADJUSTABLE COMPATIBLE WITH 4" TECHZONE® CEILINGS
(SILHOUETTE®, SUPRAFINE®, INTERLUDE®, OR PRELUDE®) BY ARMSTRONG®

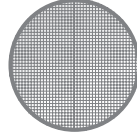
FILTERS



Frosted Filter



Honey Comb

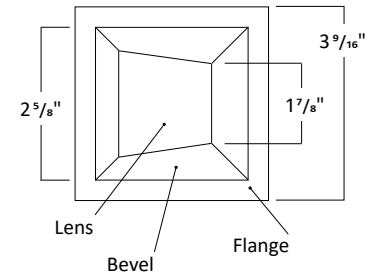
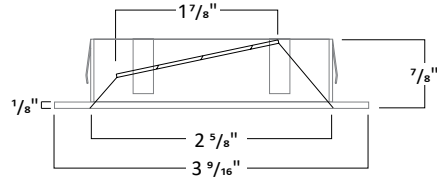
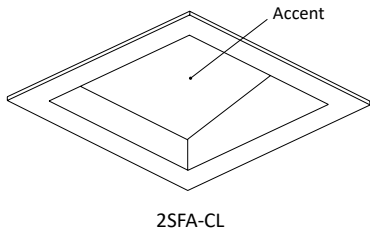
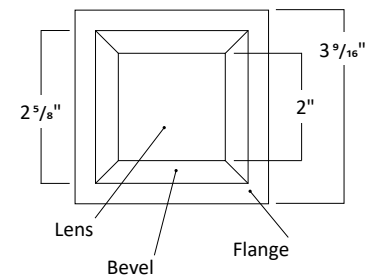
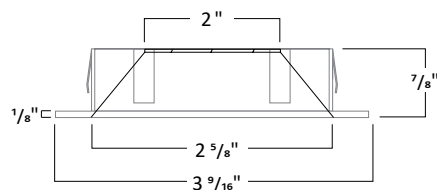
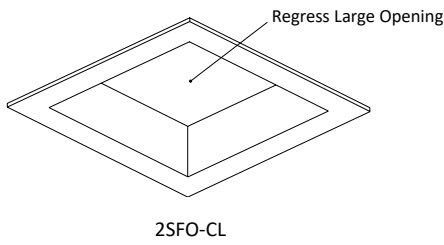


Solite Filter



Linear Filter

TRIM DIMENSIONS



TRIM FINISH

May be mixed and matched



*Consult Factory for Made to Order Finishes