

# PRIME 3"

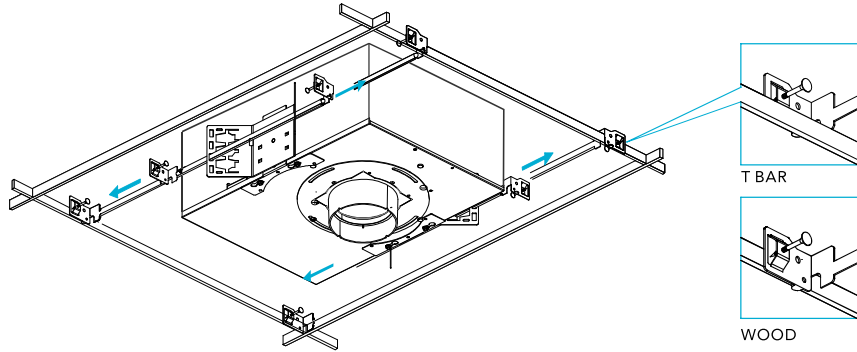
## INSTALLATION INSTRUCTION

## FLANGE INSTALLATION

### STEP 1

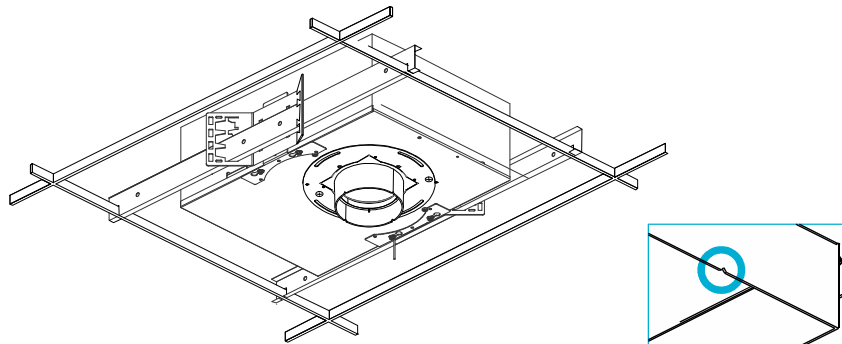
#### FLAT TYPE BAR HANGER

EXTEND FLAT BAR TO APPROPRIATE DISTANCE AND LOCK IT WITH THE CEILING BRACKET



#### C CHANNEL BAR HANGER

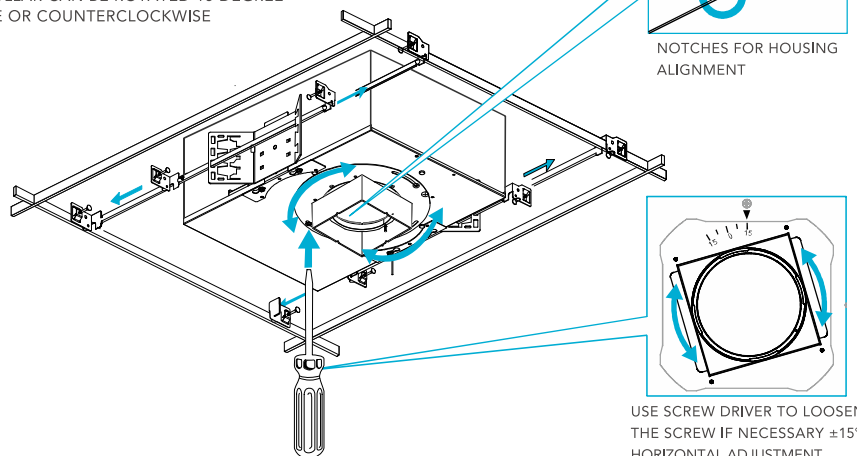
USE C CHANNEL BAR HANGER TO FIX HOUSING ON THE CEILING BRACKET.



### STEP 2

#### COLLAR ADJUSTMENT

SQUARE COLLAR CAN BE ROTATED 15 DEGREE CLOCKWISE OR COUNTERCLOCKWISE



NOTCHES FOR HOUSING ALIGNMENT

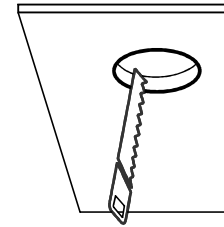
USE SCREW DRIVER TO LOOSEN THE SCREW IF NECESSARY  $\pm 15^\circ$  HORIZONTAL ADJUSTMENT

### STEP 3

#### CEILING CUT OUT

CUT APPROPRIATE SHAPE, REFER TO ROUND / SQUARE APERTURE SIZE CHART

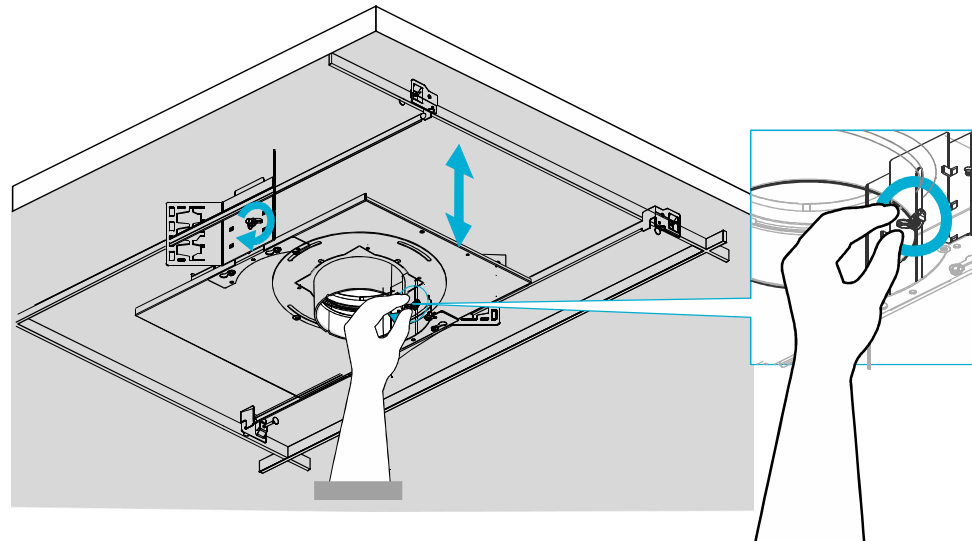
ROUND		SQUARE	
Aperture size 3"	Ceiling cut-out size Ø3-5/8" (93mm)	Aperture size 3"	Ceiling cut-out size 3-5/8" X 3-5/8" (93 X 93mm)



### STEP 4

#### HOUSING HEIGHT ADJUSTMENT

ADJUST THE HOUSING HEIGHT AFTER THE CEILING IS INSTALLED. LOOSEN THE WING NUTS FROM INSIDE AND ADJUST THE HOUSING HEIGHT.



# PRIME 3"

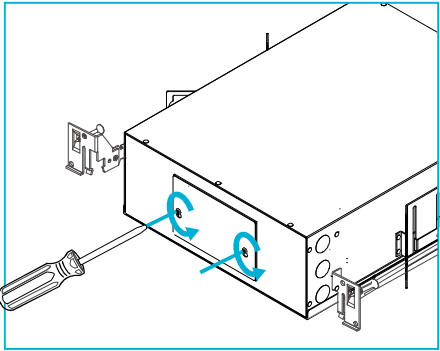
## INSTALLATION INSTRUCTION

## FLANGE INSTALLATION

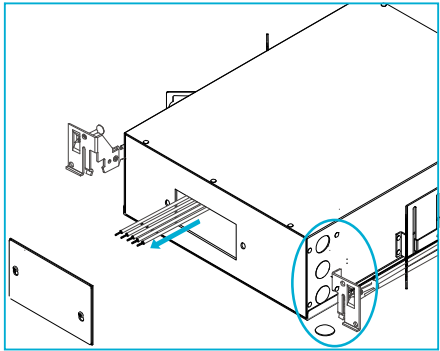
### STEP 5

#### ELECTRICAL CONNECTION

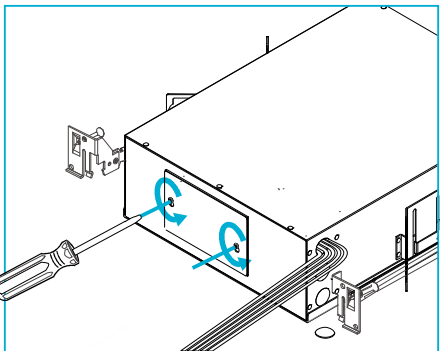
**Step 5-A**  
USE TOOL TO LOOSEN SCREWS.



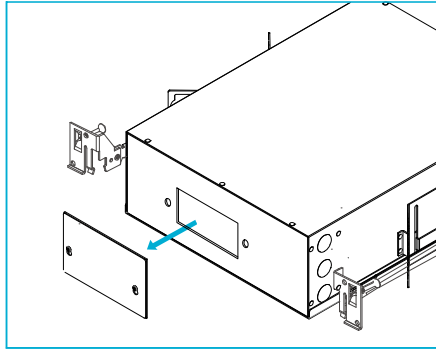
**Step 5-C**  
USE SCREWDRIVER TO KNOCK OUT THE COVER



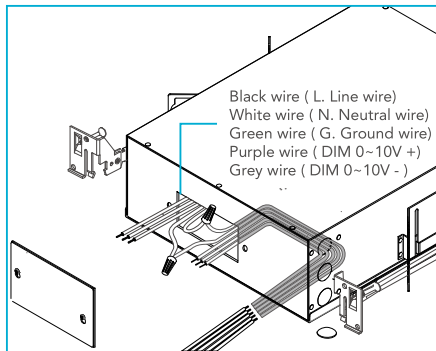
**Step 5-E**  
USE SCREW DRIVER LOCK BACK THE CORD HOLE COVER BACK TO THE BOX COMPLETE THE CORD CONNECTION.



**Step 5-B**  
REMOVE THE WIRE CONNECTION COVER PLATE.

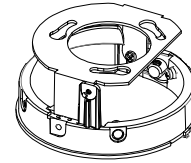


**Step 5-D**  
CONNECT THE WIRES

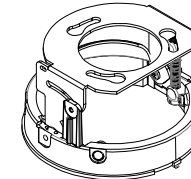


### STEP 6

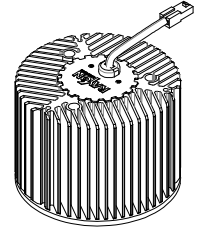
#### FIX TYPE LED MODULE AND ADJUSTABLE ADAPTOR COMBINATION



FIX TYPE ADAPTOR



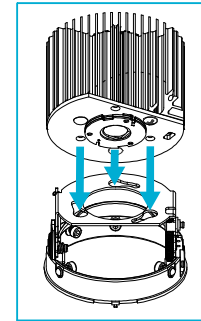
ADJUSTABLE TYPE ADAPTOR



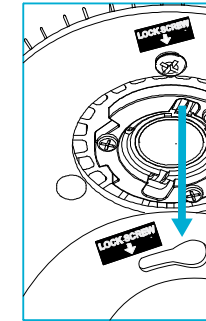
3" LED MODULE & HEAT SINK

**Step 6** COMBINE THE LED MODULE TO FIX / ADJUSTABLE ADAPTOR

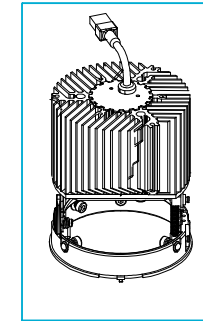
**Step 6-A**  
ALIGN THE 3 LICK PIN AND 3 CURVED KEY HOLES



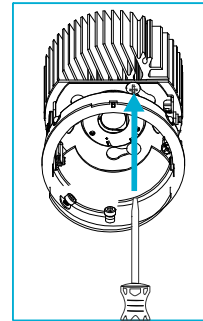
**Step 6-B**  
MATCH THE LOCK SCREW



**Step 6-C**  
ROTATE THE HEAT SINK AND LOCK WITH A CLICK

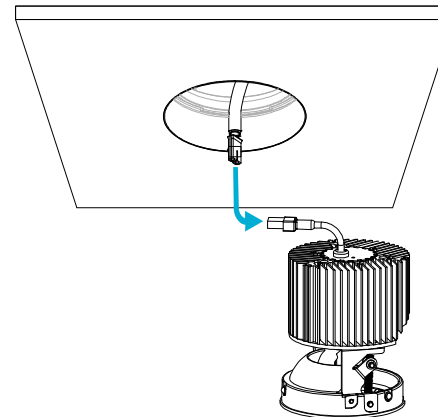


**Step 6-D**  
USE SCTEW DRIVER TIGHTEN THE SCREW TO FIX THE MODULE

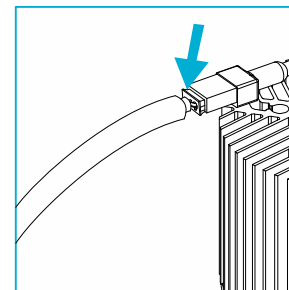


### STEP 7

#### Module Installation



**Step 7-A**  
CONNECT THE QUICK CONNECTORS.



# PRIME 3"

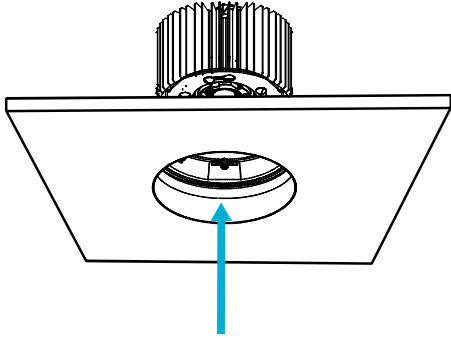
## INSTALLATION INSTRUCTION

## FLANGE INSTALLATION

### STEP 7

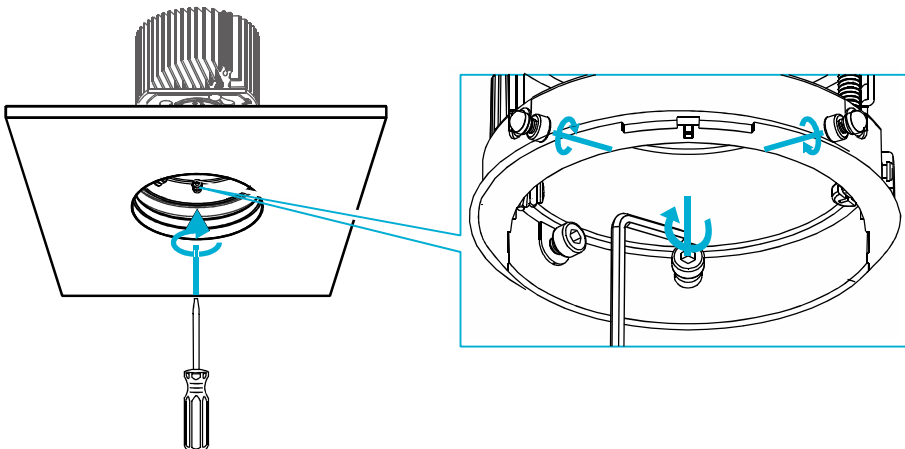
#### Step 7-B

INSERT THE MODULE INTO THE COLLAR



#### Step 7-C

SECURE THE MODULE WITH ALLEN SCREW

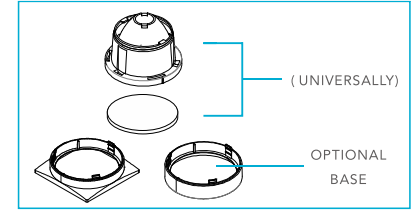


### STEP 8

OPTICAL LENS AND DIFFUSOR ASSEMBLY AND OPTIONS

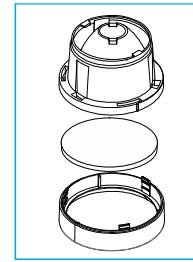
3" DOWN LIGHT SERIES FIT WITH 2 TYPE OPTICAL LENS

1. ROUND BASE ASSEMBLY
2. SQUARE BASE ASSEMBLY

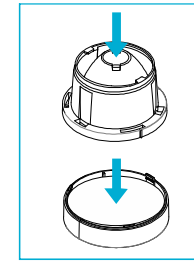


STEP 8-1 :  
OPTICAL LENS ASSEMBLY

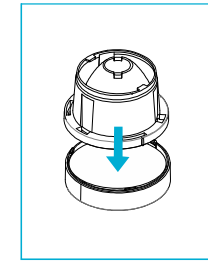
STEP 8-1A :  
FIND THE MATCHING PARTS



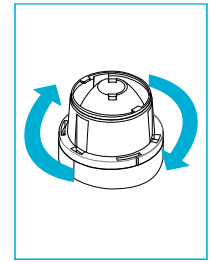
STEP 8-2A :  
INSERT THE OPTICAL LENS  
AND DIFFUSOR INTO COVER



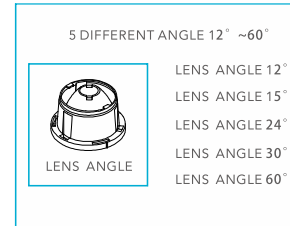
STEP 8-3A :  
ALIGN AND INSERTS THE LOCK  
PINS INTO LOCK GAPS



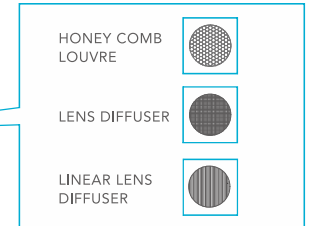
STEP 8-4A :  
TWIST AND LOCK TO COM-  
PLETE THE ASSEMBLY



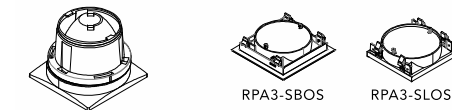
5 DIFFERENT ANGLE LENS OPTIONS



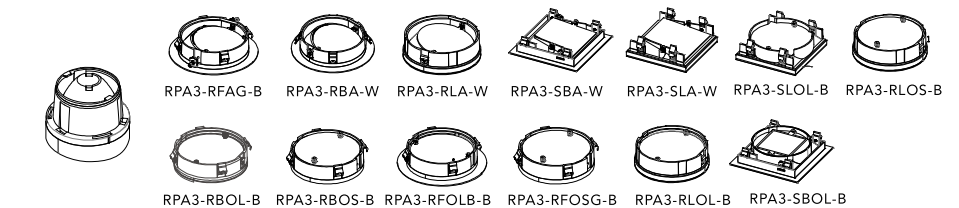
3 TYPE DIFFUSORS OPTIONS



SQUARE BASE LENS SUITABLE REFLECTOR ITEM LIST



ROUND BASE LENS SUITABLE REFLECTOR ITEM LIST



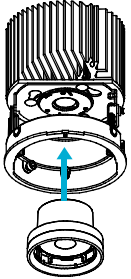
# PRIME 3"

## INSTALLATION INSTRUCTION

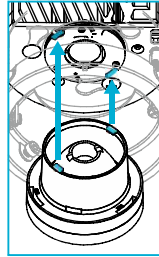
## FLANGE INSTALLATION

### STEP 9

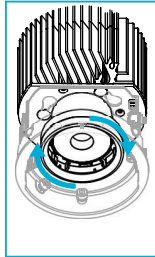
LENS INSTALLATION ( ADJUSTABLE AND FIX TYPE)



**Step 9-A:**  
ALIGN THE HEAT SINK AND LENS.



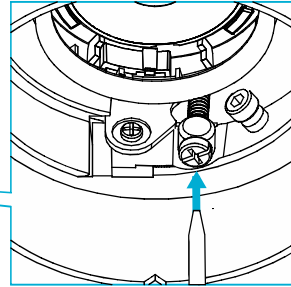
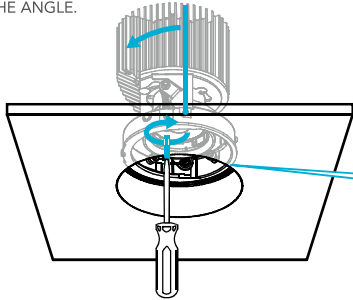
**Step 9-B:**  
TURN IN A "CLOCKWISE" DIRECTION TO MOUNT THE LENS TO MODULE.



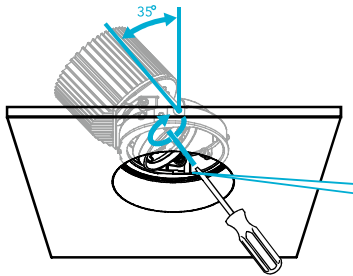
### STEP 10 (FOR ADJUSTABLE ONLY)

TILT ANGLE ADJUSTMENT 0° ~ 35°

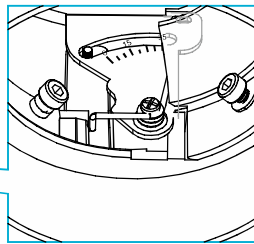
**Step 10-A:**  
USE SCREWDRIVER AND TURN IN A "CLOCKWISE" DIRECTION TO ADJUST THE ANGLE.



**Step 10-B:**  
ADJUSTABLE UP TO 35° TILT.



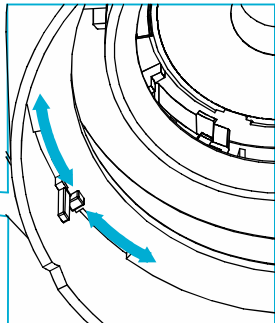
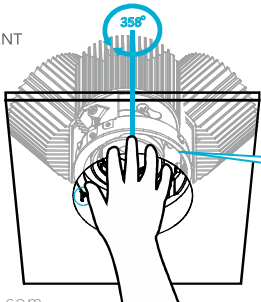
DEGREE INDICATOR SIDE OF MODULE.



### STEP 11 (FOR ADJUSTABLE TYPE ONLY)

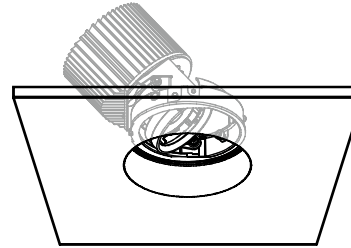
ROTATION ADJUSTMENT  
HORIZONTAL ADJUSTMENT

**Step 11-A:**  
ROTATE UP TO 358°



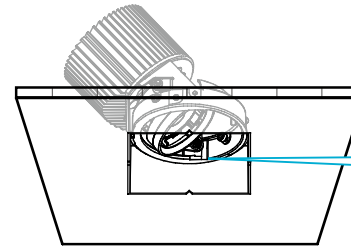
### Step 11-B:

TIGHTEN SCREW AT DESIRED POSITION.

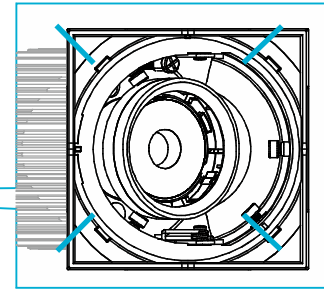
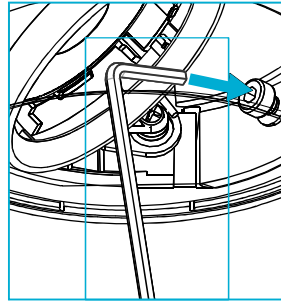


SQUARE TYPE

LOCK POSITIONS FOR SQUARE ALIGNMENT.



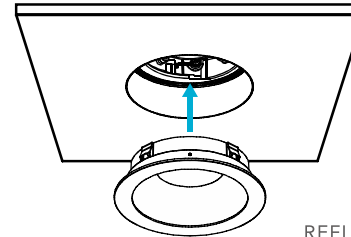
STOP POINT



### STEP 12 REFLECTOR INSTALLATION

**Step 12-1A :**

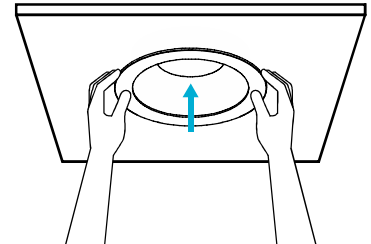
INSERT THE REFLECTOR CLIP INTO HOLES ON SIDE OF MODULE ADAPTER.



REFLECTOR WITH TRIM

**Step 12-2A :**

PUSH INTO CEILING TO COMPLETE THE INSTALLATION.





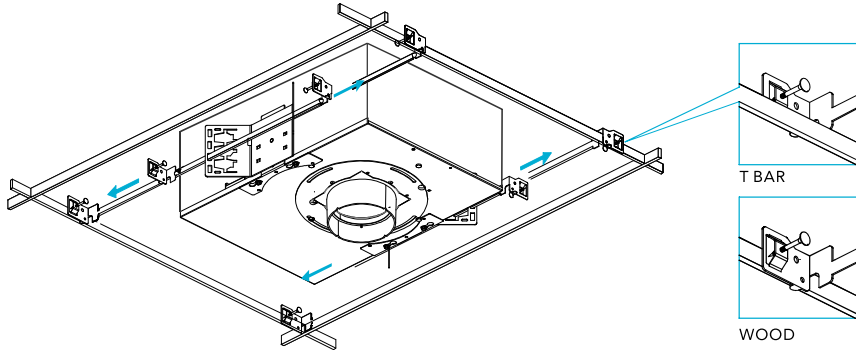
# PRIME 3"

## INSTALLATION INSTRUCTION

### STEP 1

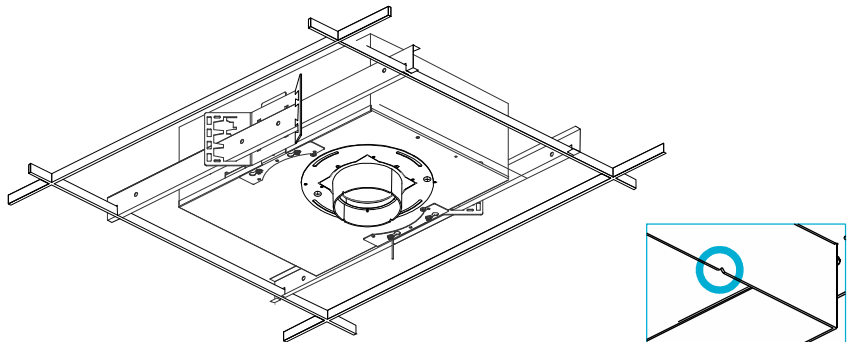
#### FLAT TYPE BAR HANGER

EXTEND FLAT BAR TO APPROPRIATE DISTANCE AND LOCK IT WITH THE CEILING BRACKET



#### C CHANNEL BAR HANGER

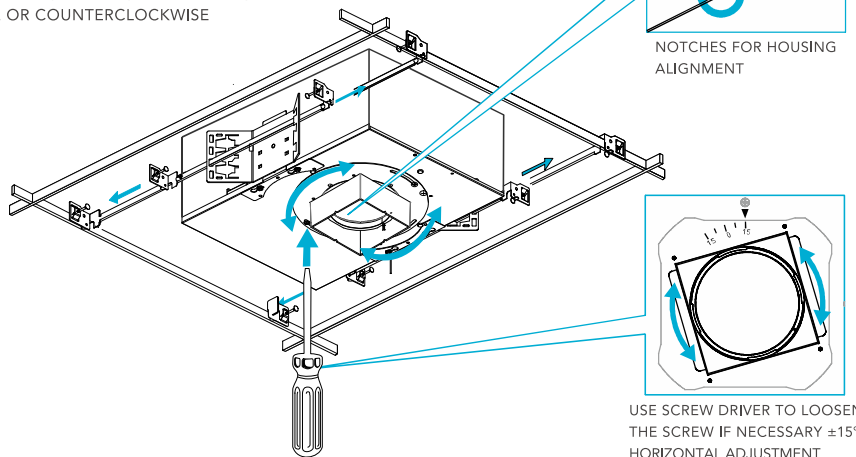
USE C CHANNEL BAR HANGER TO FIX HOUSING ON THE CEILING BRACKET.



### STEP 2

#### COLLAR ADJUSTMENT

SQUARE COLLAR CAN BE ROTATED 15 DEGREE CLOCKWISE OR COUNTERCLOCKWISE



## FLANGELESS INSTALLATION

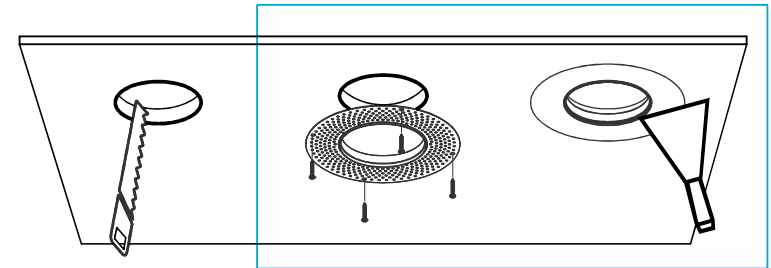
### STEP 3

#### CEILING CUT OUT

CUT APPROPRIATE SHAPE, REFER TO ROUND / SQUARE APERTURE SIZE CHART

ROUND		SQUARE	
Aperture size 3"	Ceiling cut-out size Ø3-5/8" (93mm)	Aperture size 3"	Ceiling cut-out size 3-5/8" X 3-5/8" (93 X 93mm)

#### TRIMLESS OPTION



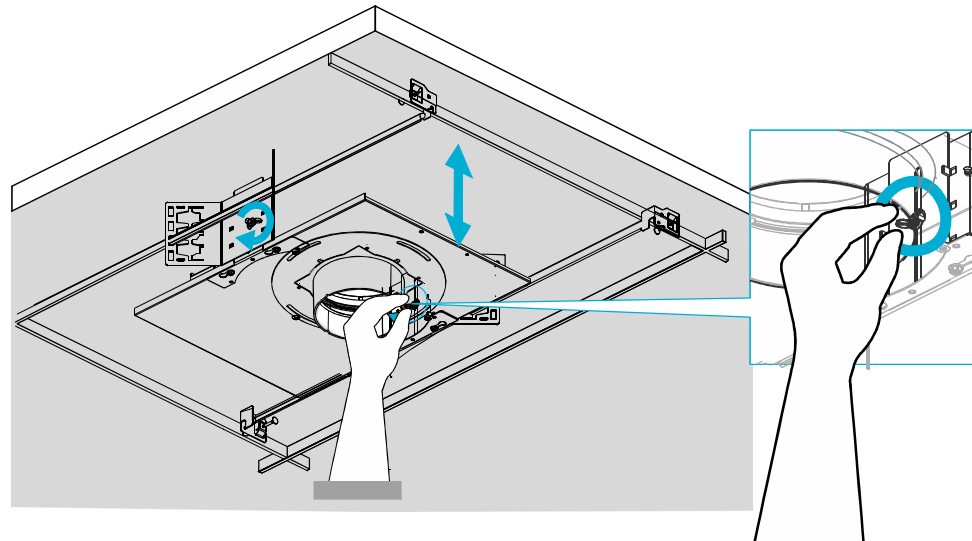
ATTACHED MUD RING TO CEILING WITH SCREWS

COVER MUD RING WITH A THIN LAYER FINISH PLASTER

### STEP 4

#### HOUSING HEIGHT ADJUSTMENT

ADJUST THE HOUSING HEIGHT AFTER THE CEILING IS INSTALLED. LOOSEN THE WING NUTS FROM INSIDE AND ADJUST THE HOUSING HEIGHT.



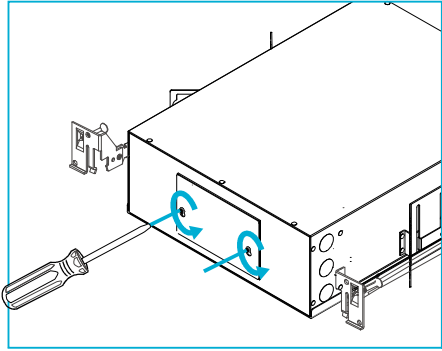
# PRIME 3"

## INSTALLATION INSTRUCTION

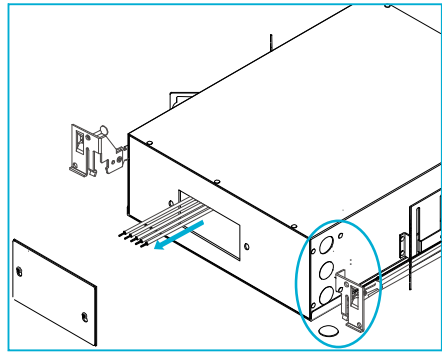
# FLANGELESS INSTALLATION

### STEP 5 ELECTRICAL CONNECTION

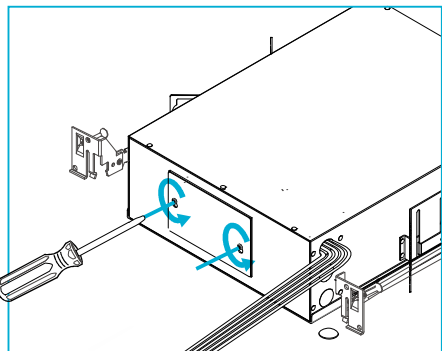
**Step 5-A**  
USE TOOL TO LOOSEN SCREWS.



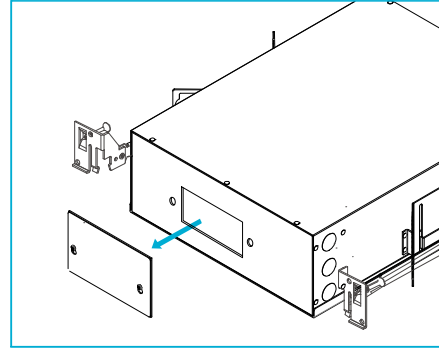
**Step 5-C**  
USE SCREWDRIVER TO KNOCK OUT THE COVER



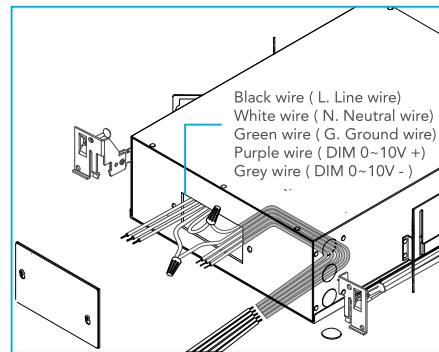
**Step 5-E**  
USE SCREW DRIVER LOCK BACK THE CORD HOLE COVER  
BACK TO THE BOX COMPLETE THE CORD CONNECTION.



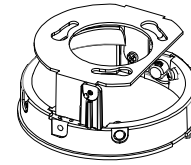
**Step 5-B**  
REMOVE THE WIRE CONNECTION COVER PLATE.



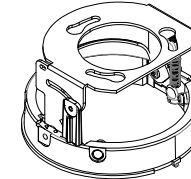
**Step 5-D**  
CONNECT THE WIRES



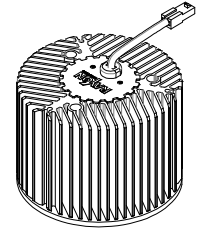
### STEP 6 FIX TYPE LED MODULE AND ADJUSTABLE ADAPTOR COMBINATION



FIX TYPE ADAPTOR



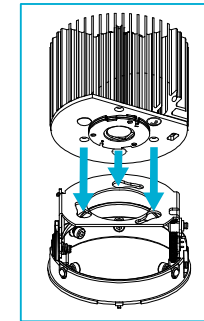
ADJUSTABLE TYPE ADAPTOR



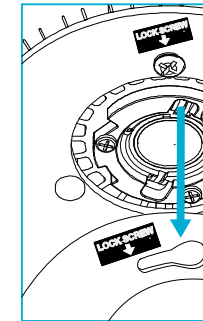
3" LED MODULE & HEAT SINK

**Step 6** COMBINE THE LED MODULE TO FIX / ADJUSTABLE ADAPTOR

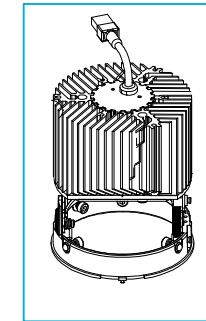
**Step 6-A**  
ALIGN THE 3 LICK PIN AND  
3 CURVED KEY HOLES



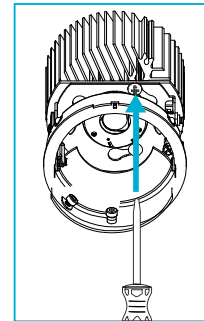
**Step 6-B**  
MATCH THE LOCK SCREW



**Step 6-C**  
ROTATE THE HEAT SINK  
AND LOCK WITH A CLICK

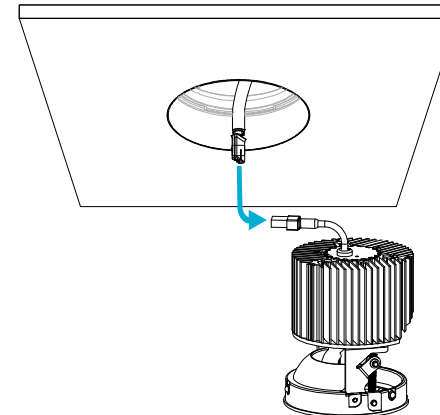


**Step 6-D**  
USE SCTEW DRIVER TIGHTEN  
THE SCREW TO FIX THE  
MODULE

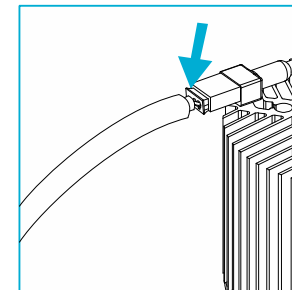


### STEP 7

Module Installation



**Step 7-A**  
CONNECT THE QUICK CONNECTORS.



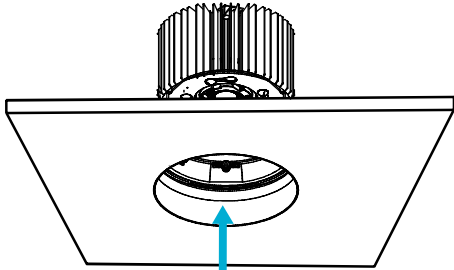
# PRIME 3"

## INSTALLATION INSTRUCTION

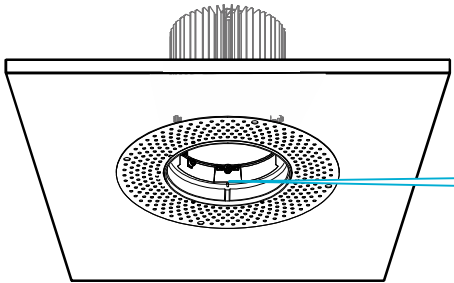
# FLANGELESS INSTALLATION

### STEP 7

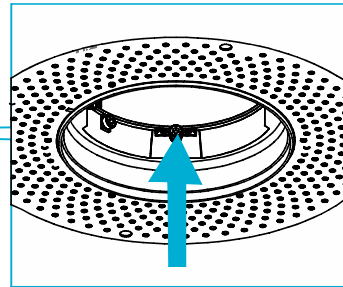
**Step 7-B**  
INSERT THE MODULE INTO THE COLLAR



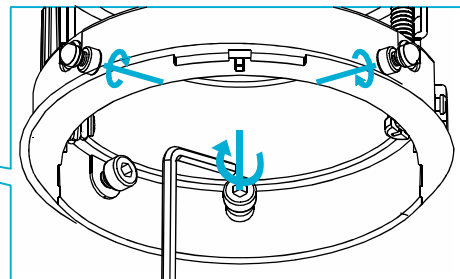
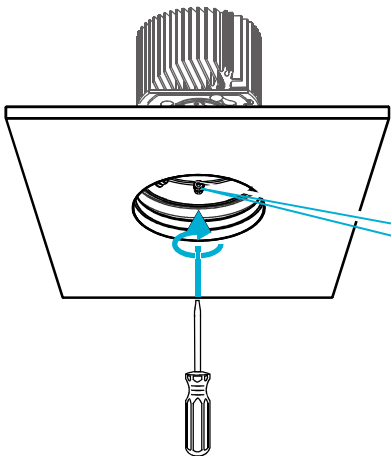
**Step 7-B1**  
FOR TRIMLESS CEILING



**Step 7-B2**  
ALIGN THE NOTCH WITH THE GAP INSIDE THE PLASTER RIM

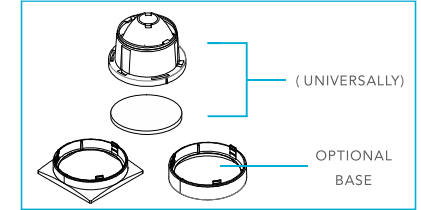


**Step 7-C**  
SECURE THE MODULE WITH ALLEN SCREW



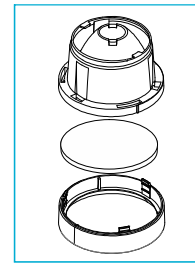
### STEP 8

OPTICAL LENS AND DIFFUSOR ASSEMBLY AND OPTIONS  
3" DOWN LIGHT SERIES FIT WITH 2 TYPE OPTICAL LENS  
1. ROUND BASE ASSEMBLY  
2. SQUARE BASE ASSEMBLY

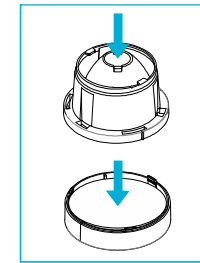


**STEP 8-1 :**  
OPTICAL LENS ASSEMBLY

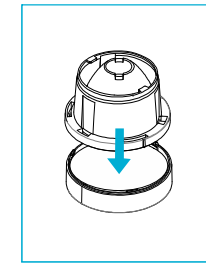
**STEP 8-1A :**  
FIND THE MATCHING PARTS



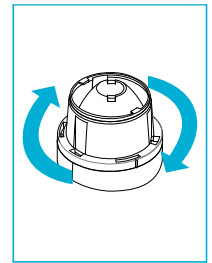
**STEP 8-2A :**  
INSERT THE OPTICAL LENS AND DIFFUSOR INTO COVER



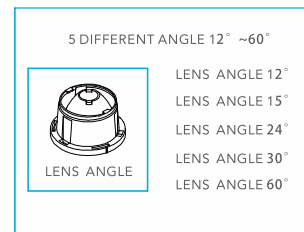
**STEP 8-3A :**  
ALIGN AND INSERTS THE LOCK PINS INTO LOCK GAPS



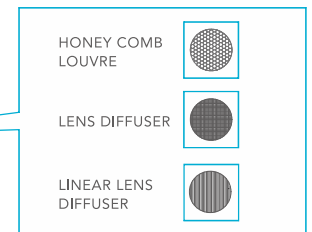
**STEP 8-4A :**  
TWIST AND LOCK TO COMPLETE THE ASSEMBLY



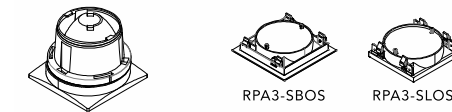
5 DIFFERENT ANGLE LENS OPTIONS



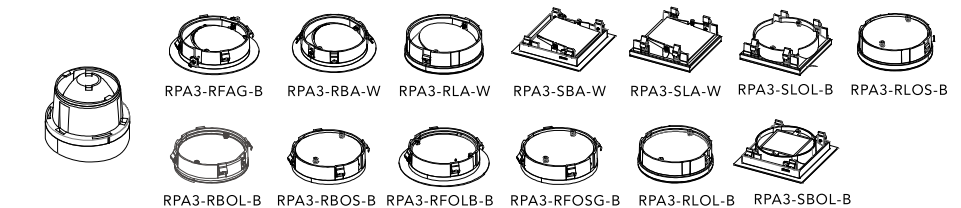
3 TYPE DIFFUSORS OPTIONS



SQUARE BASE LENS SUITABLE REFLECTOR ITEM LIST



ROUND BASE LENS SUITABLE REFLECTOR ITEM LIST



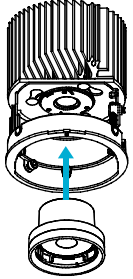
# PRIME 3"

## INSTALLATION INSTRUCTION

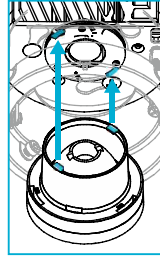
# FLANGELESS INSTALLATION

### STEP 9

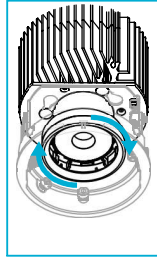
LENS INSTALLATION (ADJUSTABLE AND FIX TYPE)



**Step 9-A:**  
ALIGN THE HEAT SINK  
AND LENS.



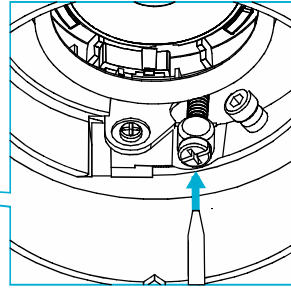
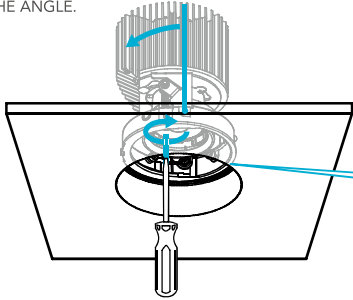
**Step 9-B:**  
TURN IN A "CLOCKWISE"  
DIRECTION TO MOUNT  
THE LENS TO MODULE.



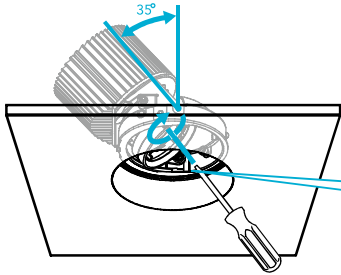
### STEP 10 (FOR ADJUSTABLE ONLY)

TILT ANGLE ADJUSTMENT 0° ~ 35°

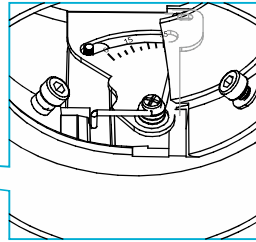
**Step 10-A:**  
USE SCREWDRIVER AND TURN IN A "CLOCKWISE" DIRECTION  
TO ADJUST THE ANGLE.



**Step 10-B:**  
ADJUSTABLE UP TO 35° TILT.



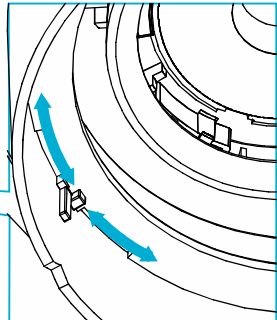
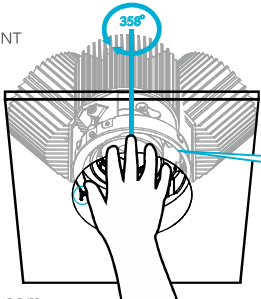
DEGREE INDICATOR SIDE OF MODULE.



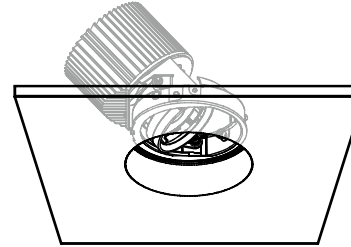
### STEP 11 (FOR ADJUSTABLE TYPE ONLY)

ROTATION ADJUSTMENT  
HORIZONTAL ADJUSTMENT

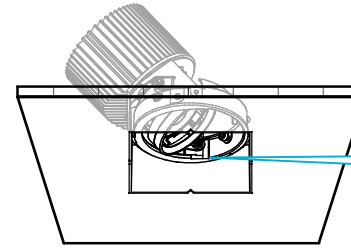
**Step 11-A:**  
ROTATE UP TO 358°



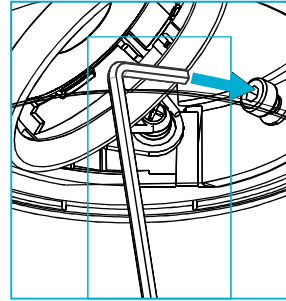
**Step 11-B:**  
TIGHTEN SCREW AT DESIRED POSITION.



SQUARE TYPE  
LOCK POSITIONS FOR SQUARE ALIGNMENT.

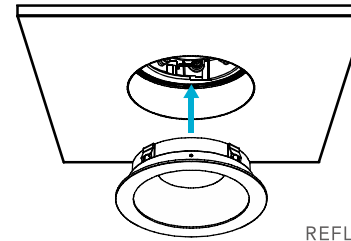


STOP POINT



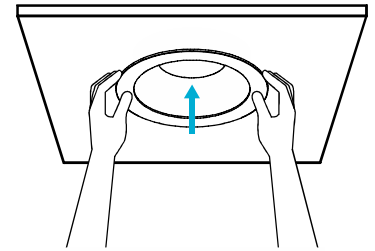
### STEP 12 REFLECTOR INSTALLATION

**Step 12-1A:**  
INSERT THE REFLECTOR CLIP INTO HOLES ON SIDE OF  
MODULE ADAPTER.

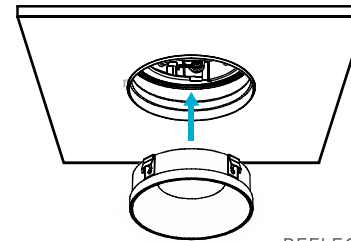


REFLECTOR WITH TRIM

**Step 12-2A:**  
PUSH INTO CEILING TO COMPLETE THE INSTALLATION.

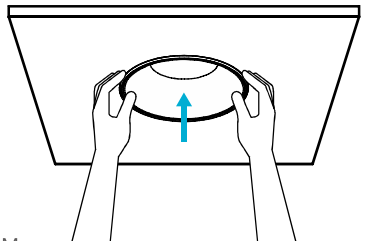


**Step 12-1B:**  
INSERT THE REFLECTOR CLIP INTO HOLES ON SIDE OF  
MODULE ADAPTER.



REFLECTOR WITHOUT TRIM

**Step 12-2B:**  
PUSH INTO CEILING TO COMPLETE THE INSTALLATION.



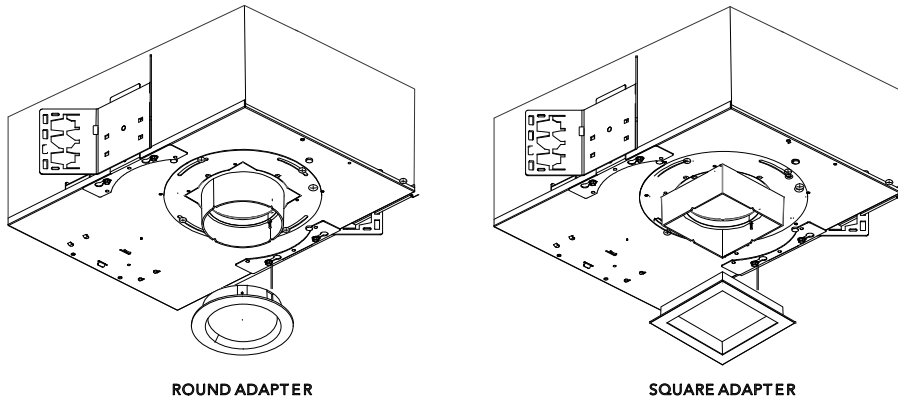
# PRIME 3"

## INSTALLATION INSTRUCTION

## MILLWORK/MARBLE INSTALLATION

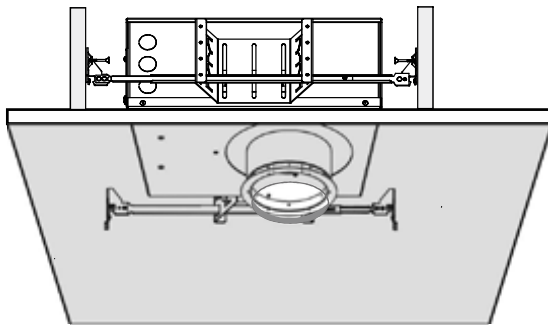
### STEP 1

INSERT THE ADAPTOR INTO COLLAR



### STEP 2

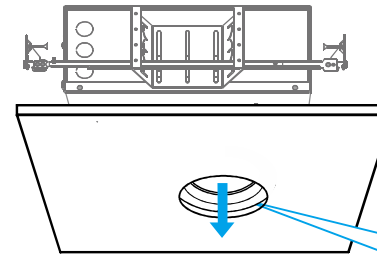
INSTALL THE HOUSING



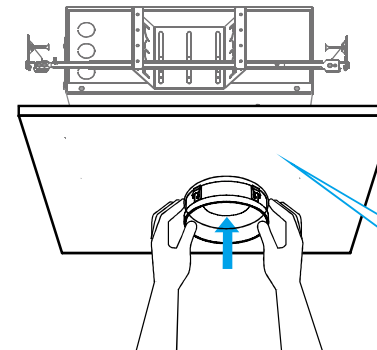
### STEP 3

INSTALL AND SET THE TRIM

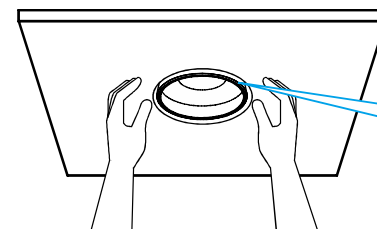
Step 3-1  
PULL THE ADAPTER DOWN



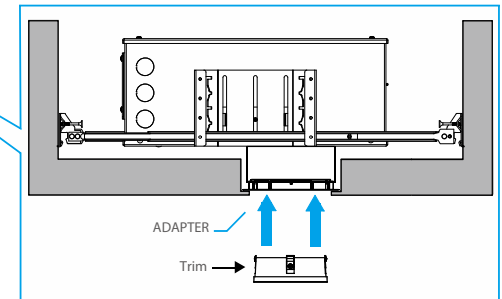
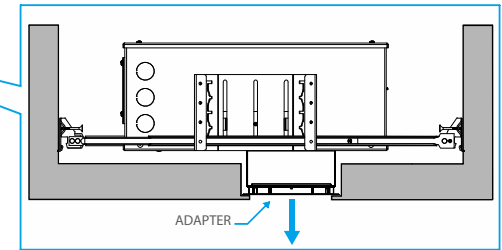
Step 3-2  
INSERT THE TRIM INTO ADAPTER



Step 3-3  
ADJUST THE TRIM BOTTOM HEIGHT ALIGN CEILING



ROUND	SQUARE
3 INCH A: Ø 3-7/8 INCH (97mm) B: Ø 4-6/8 INCH (119mm)	3 INCH A: Ø 3-7/8 INCH (97mm) B: Ø 4-6/8 INCH (119mm)



CEILING THICKNESS / INSTALLATION DIMENSION REFERENCE

CEILING THICKNESS	X - DIMENSION	TOLERANCE*
3/8"	1-1/4"	+/- (1/8")
1/2"	1-1/8"	+/- (1/8")
3/4"	7/8"	+/- (1/8")
1"	5/8"	+/- (1/8")
1-1/2"	1/8"	+(1/8")

\*The trim adapter may be adjusted 1/2" vertically within the collar.

